

# RPA & Associates, LLC.

PRESERVING OUR HISTORY

508 Ortega Rd NW Los Ranchos de Albuquerque, NM 87114  
P.O. Box 10328 Albuquerque, NM 87184  
505-379-7900  
rpahistoric@gmail.com

TO Archaeo Architects  
1512 Pacheco Street  
Santa Fe, NM 87505  
bradyn@archaeoarchitects.com

HISTORIC ASSESSMENT  
NO. 020125-HA



JOB	DATE
206 McKenzie Street, Santa Fe, NM 87501	01/02/2025

LOCATION	DESCRIPTION
<u>NORTH</u>	
A	60" x 24" FIXED BARN SASH ON SIDE 4W2H WOOD BEAD (1985) NON-HISTORIC
DR #1	34" x 76" RH OUTSWING DOOR 3W1H/2-PANEL (CUT DOWN, DOOR NOT IN JAMB) NON-HISTORIC
<u>WEST</u>	
DR #2	32" x 94" – 3 BI-FOLD GARAGE DOORS 2W2H/2-PANEL HISTORIC
DR #3	30" x 76" RH INSWING DOOR 2W2H/3-HORIZONTAL PANELS (SIMPSON 1985) NON-HISTORIC
<u>NORTH</u>	
B	37" x 35" – 2 (2-19") LR INSWING CASEMENT 2W3H HISTORIC
<u>WEST</u>	
DR #4	32" x 71" LH OUTSWING DOOR 3W3H/1-PANEL (KOLBE 2018) NON-HISTORIC
C	103" x 28" – 5 WIDE LR SLR OUTSWING CASEMENT 2W2H BARN SASHES (SASHES INSTALLED IN A 2 x 4 FRAME) (1985) NON-HISTORIC
D	25" x 77" TUBE STEEL WITH 1-LT GLASS (2018) NON-HISTORIC
E	19" x 26" L STEEL CASEMENT 1W2H (ADDED FOR A BATH 1960's) HISTORIC BUT NOT ORIGINAL
DR #5	48" x 76" OPENING WAS A DOOR – NOTHING THERE NON-HISTORIC
F	48" x 48" AWNING PUSH-OUT ALUMINUM 3W3H ABOVE DR #5 (KOLBE 2018) NON-HISTORIC

JOB		DATE
206 McKenzie Street, Santa Fe, NM 87501		01/02/2025
LOCATION	DESCRIPTION	
<u>NORTH</u>		
G	190" x 146" MULLED STEEL CASEMENT 13W7H W/3 – 42 x 39 AWNING HISTORIC	
DR #6	94" x 99" OPENING WAS A DOOR W/TRANSOM ALL ALUMINUM HORIZONTAL SLIDER (NOTHING THERE EXCEPT 2018 TRANSOM W/GRILLES) NON-HISTORIC	
H	40" x 26" AWNING 1-LT 3 WINDOWS (KOLBE 2018) NON-HISTORIC	
I	72" x 61" STEEL CASEMENT (SET-IN A WOOD JAMB ORIGINALLY A PAIR OF DOUBLE HUNGS) NON-HISTORIC 5W3H (40 x 40 INSWING)	
<u>EAST</u>		
J	36" x 69" WWOOD DOUBLE HUNG (SASHES & JAMBS MISSING) NON-HISTORIC	
❖ DR #7	46" x 78" WOOD LH OUTSWING ALL PANELS – 19 EACH (GATES TOO SHORT FOR OPENING) HISTORIC NOT ORIGINAL	
DR #8	30" x 76" LH INSWING DOOR ½ GLASS 3-PANEL CUT DOWN (SIMPSON 1998) WOOD BEAD NON-HISTORIC	
K	36" x 69" DH 3W2H/3W2H HISTORIC	
❖ DR #9	60" x 81" RH INSWING GATE DOORS CUT DOWN WOOD BEAD 12-PANEL HISTORIC NOT ORIGINAL	
<u>SOUTH</u>		
** L	32" x 54" DH 3W2H/3W2H HISTORIC	
DR #10	12/32/12 x 78" RH INSWING DOOR W/2-5 L WOOD BEAD (GATE IS TOO SHORT FOR THE OPENING) (SIMPSON 1979 TO 1982) NON-HISTORIC	
** M	32" x 54" DH 3W2H/3W2H HISTORIC	
** N	32" x 54" DH 3W2H/3W2H HISTORIC	
DR #11	32" x 77" RH INSWING DOOR 2W5H CUT DOWN (SIMPSON 1984) NON-HISTORIC	
** O	32" x 54" DH 3W2H/3W2H HISTORIC	
** P	32" x 47" DH 3W2H/3W2H HISTORIC	
<u>EAST</u>		
DR #12	32" x 77" LH OUTSWING DOOR 3W2H/1-PANEL CUT DOWN (KOLBE 2018) NON- HISTORIC	
Q	36" x 20" – 2 TRANSOM 3W1H BARN SASHES IN A FRAME (1988) NON-HISTORIC	

JOB		DATE
206 McKenzie Street, Santa Fe, NM 87501		01/02/2025
LOCATION	DESCRIPTION	
<u>WEST</u>		
** R	21" x 38" RH INSWING CASEMENT 2W3H HISTORIC	
DR #13	47" x 80" (2-24) DOOR FIXED 2W5H ADDED PIECES TO THE BOTTOM OF THE DOOR AND SCREWED TOGETHER (2018) NON-HISTORIC	
<u>SOUTH</u>		
** S	28" x 54" – 3 DH 3W2H/3W2H 5" MULLS HISTORIC	
** T	28" x 54" – 3 DH 3W2H/3W2H 5" MULLS HISTORIC	
** U	28" x 47" – 1 DH 3W2H/3W2H HISTORIC	
** V	28" x 47" – 2 DH 3W2H/3W2H 5" MULLS HISTORIC	
<u>WEST</u>		
** W	28" x 47" – 2 DH 3W2H/3W2H 5" MULLS HISTORIC	
<u>SOUTH</u>		
DR #14	36" x 81" – 3 LH/STAT/RH INSWING DOOR 3W5H (SIMPSON 1990) NON-HISTORIC 36" x 14" – 3 ALL HOPPERS INSWING TRANSOM 3W1H MECHANICAL NAILED SASHES (1990) NON-HISTORIC	
X	60" x 24" – 2 4W2H FIXED CASEMENT BARN SASHES ON SIDE WOOD BEAD (1984) NON-HISTORIC	
COURTYARD		
<u>EAST</u>		
Y	36" x 46" – 2 INSWING MISSING SASHES HISTORIC FRAME ONLY	
DR #15	64" x 84" (2-32") DOOR FIXED 3W5H ADDED TO TOP AND BOTTOM OF DOORS AND SCREWED TOGETHER (2018) NON-HISTORIC	
Z	36" x 46" – 2 OUTSWING CASEMENT 2W4H SILL BURIED WOULD NEED TO REMOVE HISTORIC	
<u>NORTH</u>		
AA	28" x 54" – 1 DH 3W3H/3W2H HISTORIC	

JOB		DATE
206 McKenzie Street, Santa Fe, NM 87501		01/02/2025
LOCATION	DESCRIPTION	
<u>EAST</u>		
BB	20" x 26" – 3 LSR INSWING CASEMENT 2W2H HISTORIC	
<u>NORTH</u>		
CC	34" x 54" – 1 DH 3W2H/3W2H SILL BURIED AND WOULD NEED TO BE REMOVED HISTORIC	
DR #16	30" x 79" RH INSWING METAL 3W3H/2-PANEL (2018) NON-HISTORIC	
DD	36" x 49" – 2 (2-18") LR OUTSWING BARN SASHES HUNG 2W4H/2W4H IN 2 x 4 JAMBS {1-LS/2-SS/6-LR} 9 WINDOWS TOTAL (2018) NON-HISTORIC	
DR #17	30" x 79" LH INSWING OPEN JAMBS (2018) NON-HISTORIC	
2 <sup>ND</sup> FLOOR		
<u>EAST</u>		
EE	39" x 45" – 2 STAT/STAT 2W4H/2W4H BARN SASHES HUNG IN 2 x 4 FRAME (2018) NON-HISTORIC	
FF	39" x 45" – 2 STAT/STAT 2W4H/2W4H BARN SASHES HUNG IN 2 x 4 FRAME (2018) NON-HISTORIC	
DR #18	48" x 78" (2-24") 2W5H LH INSWING DOOR WOOD BEAD (SIMPSON 1998) NON-HISTORIC	
<u>SOUTH</u>		
** GG	32" x 54" – 3 DH 3W2H/3W2H SILL BURIED AND WOULD NEED TO BE REMOVED HISTORIC	
** HH	32" x 54" – 3 DH 3W2H/3W2H SILL BURIED AND WOULD NEED TO BE REMOVED HISTORIC	
<u>EAST</u>		
** II	28" x 47" – 1 DH 3W2H/3W2H SILL BURIED AND WOULD NEED TO BE REMOVED HISTORIC	
** JJ	32" x 54" – 2 DH 3W2H/3W2H 5" MULLS SILL BURIED AND WOULD NEED TO BE REMOVED HISTORIC	
** KK	32" x 54" – 3 DH 3W2H/3W2H 5" MULLS SILL BURIED AND WOULD NEED TO BE REMOVED HISTORIC	
** LL	32" x 54" – 3 DH 3W2H/3W2H 5" MULLS SILL BURIED AND WOULD NEED TO BE REMOVED HISTORIC	

JOB		DATE
206 McKenzie Street, Santa Fe, NM 87501		01/02/2025
LOCATION	DESCRIPTION	
<u>SOUTH</u>		
** MM	28" x 47" – 3 DH 3W2H/3W2H 5" MULLS SILL BURIED AND WOULD NEED TO BE REMOVED HISTORIC	
<u>WEST</u>		
** NN	28" x 47" – 3 DH 3W2H/3W2H 5" MULLS SILL BURIED AND WOULD NEED TO BE REMOVED HISTORIC	
** OO	28" x 47" – 3 DH 3W2H/3W2H 5" MULLS SILL BURIED AND WOULD NEED TO BE REMOVED HISTORIC	
<u>NORTH</u>		
PP	36" x 46" – 2 (2-18") LR INSWING CASEMENT 1W3H HISTORIC	
<u>EAST</u>		
QQ	28" x 47" – 2 DH 3W2H/3W2H 5" MULL HISTORIC	
RR	25" x 41" – 1 DH 3W2H/3W2H HISTORIC	
<u>NORTH</u>		
DR #19	28" x 73" RH INSWING DOOR 3W5H CUT DOWN (SIMPSON 1990) NON-HISTORIC	
SS	18" x 24" R STEEL CASEMENT 1W2H SET OUT OF PLUMBS (1960) HISTORIC BUT NOT ORIGINAL	
TT	36" x 49" – 2 (2-18") LR 2W4H BARN SASHES HUNG IN 2 x 4 FRAMES 11 WINDOWS TOTAL (2018) NON-HISTORIC	
<u>SOUTH</u>		
UU	60" x 42" – HS 3W3H WHITE ALUMINUM GRILLES IN AIR SPACE (1999) NON-HISTORIC	
VV	48" x 24" – HS 3W2H WHITE ALUMINUM GRILLES IN AIR SPACE (1999) NON-HISTORIC	
WW	30" x 24" – HS 2W2H WHITE ALUMINUM GRILLES IN AIR SPACE (1999) NON-HISTORIC	
DR #20	32" x 80" – LH INSWING 2W5H CARVED PIECES HISTORIC	
XX	20" x 8' FIXED OBSECURE GLASS STOPPED IN (1999) NON-HISTORIC	
<u>WEST</u>		
YY	24" FULL ROUND GLASS STOPPED IN (1999) NON-HISTORIC	



In closing, my professional opinion is as follows:

Windows:

A, C, D, F, H (3), I, J, Q, X, DD (9), EE, FF, TT (11), UU, VV, WW, XX, and YY – are non-historic.

Doors:

1, 3, 4, 5, 6, 8, 10, 11, 12, 13, 14, 15, 16, 17, 18, 19, and 21 – are non-historic.

Windows:

B, E, G, K, PP, QQ, RR – are historic and primary façade.

Window:

R – is historic however the unit is not the original window to the building.

Windows:

\*\* L, M, N, O, P, R, S, T, U, V, W, GG, HH, II, JJ, KK, LL, MM, NN, and OO – all have historic sashes and jambs. Many of the sills are buried in stucco and will need to be removed to make these windows seal properly. If the units are removed the jambs will be destroyed because the jambs are the buck in the adobe. The adobe and the interior plaster is showing signs of deterioration from water getting in around the existing jambs due to the lack of flashing and moisture from condensation because of the quantity and size of the single glazed windows.

The best solution to protect the integrity of the structure is to remove these units and replace in like and kind, all wood windows with divided light and insulated glass. These windows are located on the non-primary elevations.

Window:

SS – is historic (not original) set out of plumb. This unit will not operate or seal.

Door:

Door #2 & #20 – are historic however it is not located on the primary façade.

- ❖ Door # 7 & #9 – is historic and it is located on the primary façade. These units will need wood added to the bottom and top to fit the opening. For this unit to be made stain grade (to match the panels) it should probably be re-made. The panels may be re-used and installed in a new matching size stile and rail door.

Window:

Y – is historic however missing sashes.

Windows:

Z, AA, BB, and CC - are historic however not on the primary façade.

If you have any questions, please contact me at 505-379-7900.

Assessment prepared by: *Ra N. Patterson*

## RPA & ASSOCIATES, LLC | WINDOW & DOOR CONDITION AND INTEGRITY CODES

CODE	CONDITION AND INTEGRITY CODES
P = PREMIUM	EXTERIOR FINISHES AND SASH, FRAME, AND CASING MEMBER IN PREMIUM OR VERY GOOD CONDITION.
	PUTTY GLAZE INTACT.
	ONLY COSMETIC TOUCH-UP, IF NEEDED.
S = SATISFACTORY	EXTERIOR FINISHES FADING AND WORN IN PLACES BUT STILL ADHERED TO THE WINDOW MEMBERS.
	PUTTY GLAZING CRACKING BUT INTACT AND ALL SASHES, FRAMES, AND CASING MEMBER WITH LESS THAN 30% -
	40% DETERIORATION.
F = FAIR	EXTERIOR FINISHES HAVE CRACKED & PEELED. MISSING TO BARE SURFACE.
	PUTTY GLAZING CRACKING AND MISSING IN 30% - 40% OF THE SASHES. ALL SASHES, FRAMES, AND CASINGS HAVE
	SOME MEMBERS 30% - 40% COMPLETELY DETERIORATED.
U = UNSATISFACTORY	EXTERIOR FINISHES HAVE COMPLETELY DETERIORATED.
	PUTTY GLAZING MOSTLY MISSING. ALL SASHES, FRAMES, AND CASING MEMBERS HAVE MORE THAN 30% - 40%
	DETERIORATION, BEYOND REPAIR.

NOTES:

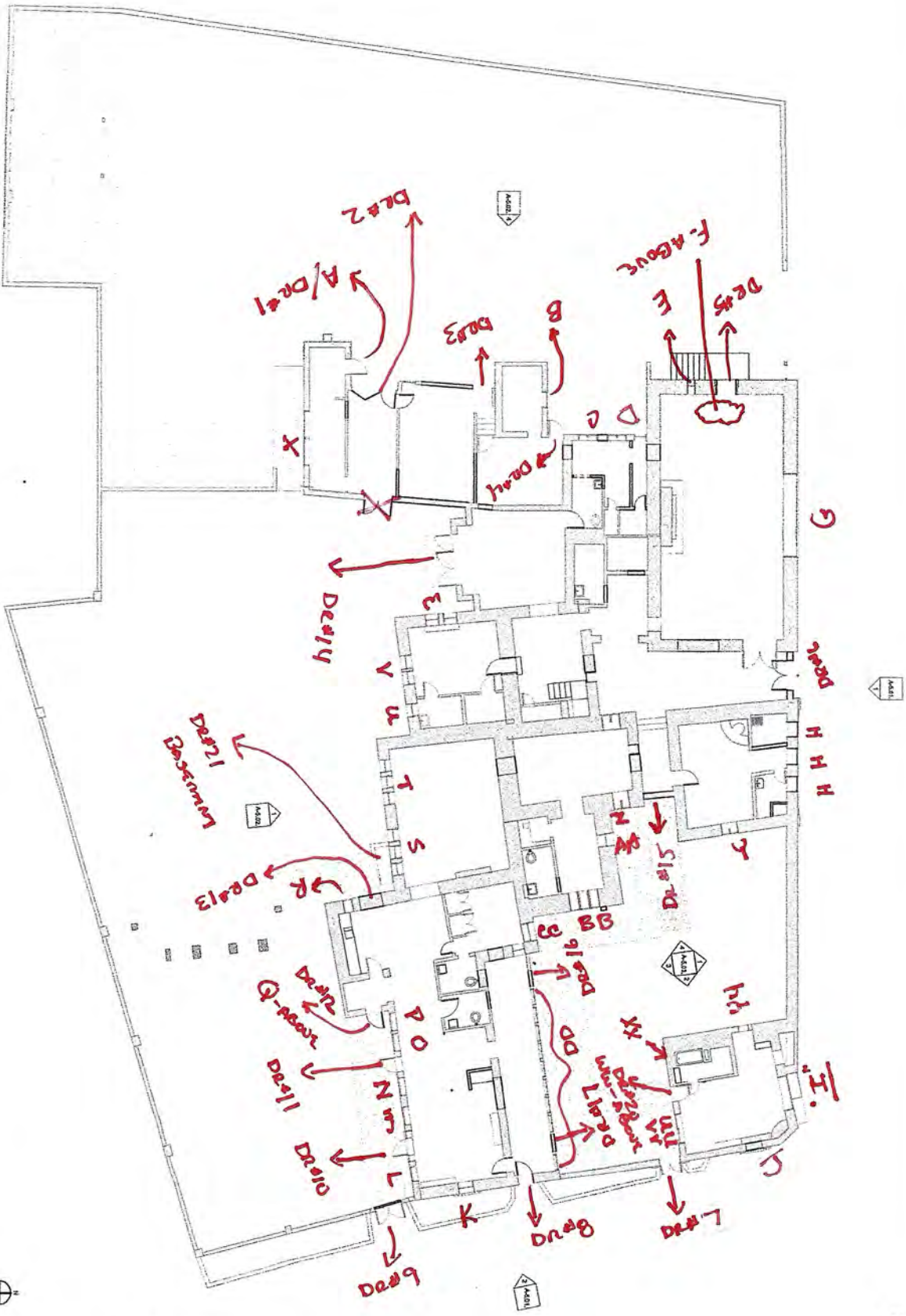
LABEL	WINDOW & DOOR DESCRIPTION	CONDITION & INTERGRITY CODE	HISTORIC/NON-HISTORIC - AGE
A	60" x 24" FIXED 4W2H	F	NON-HISTORIC – BARN SASHES 1984
DR #1	34" x 76" RH DOOR 3W1H/2-PANEL	F	NON-HISTORIC – SIMPSON DOOR (NOT FROM SITE) 1980
DR #2	32" x 94" BI-FOLD GARAGE DOOR	S	HISTORIC
DR #3	30" x 76" RH DOOR 2W2H/3 VENT PANEL	S	NON-HISTORIC – SIMPSON 1984
B	37" x 35" INSWING CASEMENT 2W3H	F	HISTORIC
DR #4	32" x 71" LH OUTSWING DOOR 3W3H/1-PANEL	S	NON-HISTORIC – KOLBE 2018
C	103" x 28" – 5 LR SLR OUTSWING 2W3H	F	NON-HISTORIC – SASHES STUCK IN 2 x 4 FRAME BARN SASHES 1984
D	25" x 77" TUBE STEEL W/INSULATED GLASS 1-LT	S	NON-HISTORIC – 2018
E	19" x 26" STEEL CASEMENT 1W2H	F	HISTORIC – HOWEVER NOT ORIGINAL FROM BUILDING
DR #5	48" x 76" DOOR OPENING	U	DOOR JAMB & DOOR MISSING
F	48" x 48" AWNING PUSH OUT 3W3H	S	NON-HISTORIC – KOLBE 2018
G	190" x 146" MULLED STEEL WINDOW W/HOPPER	F	HISTORIC
DR #6	94" x 99" DOOR OPENING W/HS ALL ALUMINUM TRANSOM	U	NON-HISTORIC – DOOR JAMB & DOOR MISSING HS ALL ALUMINUM HORIZONTAL SLIDER TRANSOM 2018
H (3)	40" x 26" AWNING 1-LT	S	NON-HISTORIC – KOLBE 2018
I	72" x 61" STEEL WINDOW 5W3H W/40 x 40 HOPPER	S	NON-HISTORIC – STEEL WINDOW INSTALLED INTO WOOD JAMB W/A PAIR OF ORIGINAL WOOD DOUBLE HUNG WERE ORIGINALLY EXISTING

LABEL	WINDOW & DOOR DESCRIPTION	CONDITION & INTERGRITY CODE	HISTORIC/NON-HISTORIC – AGE
J	36" x 69" WOOD DOUBLE HUNG – MOST LIKELY	U	NON-HISTORIC – JAMB & SASHES MISSING
❖DR #7	46" x 78" ALL WOOD OUTSWING GATE 19 PANELS	F	HISTORIC – TOO SHORT FOR OPENINGS IF ADDED PC TO BOTTOM WOULD NOT MATCH. SOLUTION IS TO SAVE THE PANELS AND INSTALL IN NEW STILE AND RAIL GATE
DR #8	30" x 76" LH DOOR ½ GLASS/3-PANEL	S	NON-HISTORIC – 1998
K	36" x 69" DH 3W2H/3W2H	F	HISTORIC – SASHES/2018 SILLS & STOPS
❖DR #9	60" x 81" INSWING GATE ALL WOOD 12 PANELS	U	HISTORIC – PANELS ONLY TOO SHORT FOR OPENINGS IF ADDED PC TO BOTTOM WOULD NOT MATCH. SOLUTION IS TO SAVE THE PANELS AND INSTALL IN NEW STILE AND RAIL GATE
** L	32" x 54" DH 3W2H/3W2H	F	HISTORIC – SASHES/2018 SILLS & STOPS
DR #10	12/32/12" x 78" DOOR 5 LITES 1W3H/1-PANEL/3W3H/1-PANEL/1W3H/1-PANEL	S	NON-HISTORIC – SIMPSON DOOR WOOD BEAD 1984
** M	32" x 54" DH 3W2H/3W2H	F	HISTORIC – SASHES/SILLS & STOPS 2018
** N	32" x 54" DH 3W2H/3W2H	F	HISTORIC – SASHES/SILLS & STOPS 2018
DR #11	32" x 77" RH DOOR CUT DOWN	F	NON-HISTORIC – SIMPSON 1984
** O	32" x 54" DH 3W2H/3W2H	F	HISTORIC – SASHES/SILLS & STOPS 2018
** P	32" x 47" DH 3W2H/3W2H	F	HISTORIC – SASHES/SILLS & STOPS 2018
DR #12	32" x 77" LH DOOR 3W3H/1-PANEL	F	NON-HISTORIC – KOLBE 2018
Q	36" x 20" – 2 TRANSOM 3W1H	F	NON-HISTORIC – BARN SASHES 1988
** R	21" x 38" RH STEEL CASEMENT 2W3H	F	HISTORIC
DR #13	47" x 80" (2-24") FIXED DOOR 2W5H	F	NON-HISTORIC – SHOP MADE 2018

LABEL	WINDOW & DOOR DESCRIPTION	CONDITION & INTERGRITY CODE	HISTORIC/NON-HISTORIC – AGE
** S	28" x 54" – 3 DH 3W2H/3W2H	F	HISTORIC – SILLS & STOPS 2018
** T	28" x 54" – 3 DH 3W2H/3W2H	F	HISTORIC – SILLS & STOPS 2018
** U	28" x 47" – 1 DH 3W2H/3W2H	F	HISTORIC – SILLS & STOPS 2018
** V	28" x 47" – 2 DH 3W2H/3W2H	F	HISTORIC – SILLS & STOPS 2018
** W	28" x 47" – 2 DH 3W2H/3W2H	F	HISTORIC – SILLS & STOPS 2018
DR #14	36" x 81" – 3 LH/STAT/RH DOOR 3W5H 36" x 14" – 3 TRANSOM 3W1H W/BARN SASHES WOOD BEAD	F F	NON-HISTORIC – SIMPSON 1990 NON-HISTORIC – BARN SASHES 1984
X	60" x 24" – 2 STAT 4W2H	F	NON-HISTORIC – BARN SASHES 1984
Y	36" x 46" – 2 (2-18") INSWING CASEMENT	U	HISTORIC – HOWEVER MISSING SASHES
DR #15	64" x 84" FIXED DOOR 3W5H	F	NON-HISTORIC – SHOP MADE 2018
Z	36" x 46" – 2 OUTSWIING CASEMENT 2W4H	U	HISTORIC – SILL BURIED IN THE WALL
AA	28" x 54" – 1 DH 3W3H/3W2H	F	HISTORIC – HOWEVER SASHES ARE NOT EQUAL LIKE ALL THE OTHER DOUBLE HUNGS
BB	20" x 26" – 3 INSWING CASEMENT LS R 3W2H	F	HISTORIC
CC	34" x 54" – 1 DH 3W2H/3W2H	U	HISTORIC – SILL BURIED IN THE WALL (SEE NOTE)
DR #16	30" x 79" RH INSWING METAL 3W3H/2-PANEL	F	NON-HISTORIC – THERMA TRU DOOR 2018
DD (9)	36" x 49" – 2 (2-18") OUTSWING BARN SASHES 2W4H	F	NON-HISTORIC – HUNG IN A 2 x 4 JAMB 2018
DR #17	30" x 79" LH DOOR OPENING	U	NON-HISTORIC - 2018

LABEL	WINDOW & DOOR DESCRIPTION	CONDITION & INTERGRITY CODE	HISTORIC/NON-HISTORIC – AGE
EE	39" x 45" – 2 (2-20") STAT/STAT 2W4H	U	NON-HISTORIC – HUNG IN A 2 x 4 JAMB 2018
FF	39" x 45" – 2 (2-20") STAT/STAT 2W4H	U	NON-HISTORIC – HUNG IN A 2 x 4 JAMB 2018
DR #18	48" x 78" (2-24") LH DOOR 2W5H	F	NON-HISTORIC – SIMPSON WOOD BEAD 1998
** GG	32" x 54" – 3 DH 3W2H/3W2H	F	HISTORIC – SILL BURIED IN WALLS (SEE NOTE)
** HH	32" x 54" – 3 DH 3W2H/3W2H	F	HISTORIC – SILL BURIED IN WALLS (SEE NOTE)
** II	28" x 47" – 1 DH 3W2H/3W2H	F	HISTORIC – SILL BURIED IN WALLS (SEE NOTE)
** JJ	28" x 47" – 2 DH 3W2H/3W2H	F	HISTORIC – SILL BURIED IN WALLS (SEE NOTE)
** KK	28" x 47" – 3 DH 3W2H/3W2H	F	HISTORIC – SILL BURIED IN WALLS (SEE NOTE)
** LL	32" x 47" – 3 DH 3W2H/3W2H	F	HISTORIC – SILL BURIED IN WALLS (SEE NOTE)
** MM	28" x 47" – 3 DH 3W2H/3W2H	F	HISTORIC – SILL BURIED IN WALLS (SEE NOTE)
** NN	28" x 47" – 3 DH 3W2H/3W2H	F	HISTORIC – SILL BURIED IN WALLS (SEE NOTE)
OO	28" x 47" – 3 DH 3W2H/3W2H	F	HISTORIC – SILL BURIED IN WALLS (SEE NOTE)
PP	36" x 46" – 2 (2-18") LR INSWING CASEMENT 1W3H	F	HISTORIC
** QQ	28" x 47" – 2 DH 3W2H/3W2H	F	HISTORIC – SILL BURIED IN WALLS (SEE NOTE)
RR	25" x 41" – 1 DH 3W2H	F	HISTORIC
DR #19	28" x 73" RH DOOR INSULATED GLASS CUT DOWN 3W5H	F	NON-HISTORIC - 1990

LABEL	WINDOW & DOOR DESCRIPTION	CONDITION & INTERGRITY CODE	HISTORIC/NON-HISTORIC – AGE
SS	18" x 24" R STEEL CASEMENT 1W2H	U	HISTORIC – NOT OF ORIGINAL ERA SET OUT OF PLUMB, WILL BE DESTROYED WHEN REMOVED TO SET TO PLUMB
TT (11)	36" x 49" – 2 (2-18") LR OUTSWING CASEMENT 2W4H	F	NON-HISTORIC – BARN SASHES SET IN 2 x 4 FRAMES 2018
UU	60" x 47" HS ALUMINUM WHITE 3W3H METAL BARS BETWEEN THE GLASS	F	NON-HISTORIC – 1999
VV	48" x 24" HS ALUMINUM WHITE 3W2H METAL BARS BETWEEN THE GLASS	F	NON-HISTORIC – 1999
WW	30" x 24" HS ALUMINUM WHITE 2W2H METAL BARS BETWEEN THE GLASS	F	NON-HISTORIC – 1999
DR #20	32" x 80" LH DOOR CARVED PANELS 2W5H	U	HISTORIC – HOWEVER PANELS PARTS ARE ONLY RE-USEABLE IF THEY CAN BE REMOVED WITHOUT BEING DESTROYED
XX	20" x 8" FIXED OBSCURE GLASS STOPPED IN WITH WOOD & STUCCO	U	NON-HISTORIC – WHEN CUTTING THE STUCCO TO REMOVE GLASS, THE GLASS WILL BREAK IN ALL PROBABILITY 1999
YY	24" FULL ROUND – GLASS STOPPED IN WITH WOOD & STUCCO	U	NON-HISTORIC – WHEN CUTTING THE STUCCO TO REMOVE GLASS, THE GLASS WILL BREAK IN ALL PROBABILITY 1999



FALLING COLORS

IRCHAEO  
architects

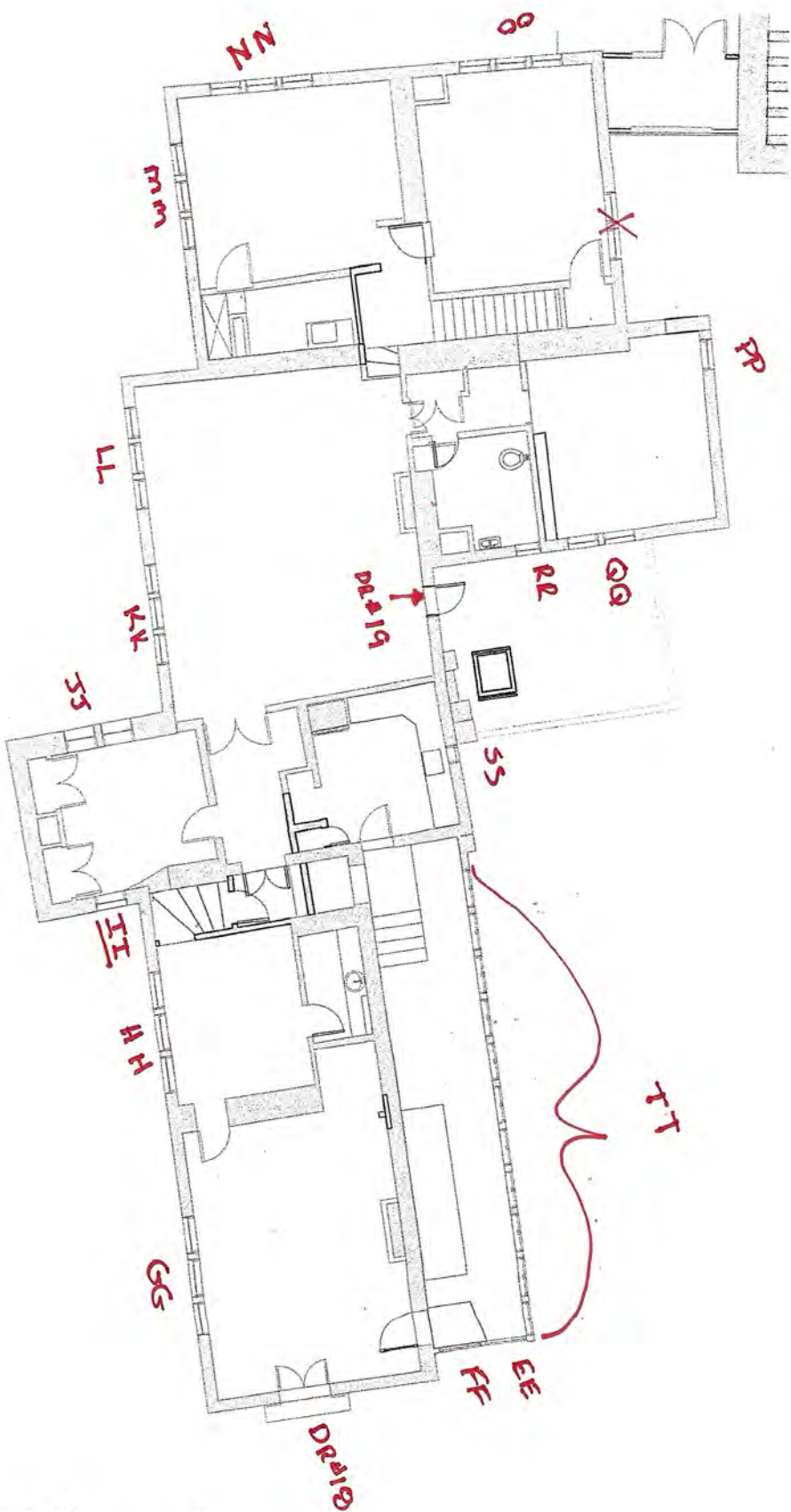
FALLING COLORS

FOR CONSTRUCTION  
23 Wickes St. Suite P4, Mill 07041

Project Name: 2108  
Scale: 1/8" = 1'-0"  
Date: 11/10/2014

Drawing Title:  
EXISTING FIRST  
FLOOR

Sheet Number:  
A-2.01.



FALLING COLORS

FOR CONSTRUCTION  
MUSEUM OF THE STATE OF NEW YORK

Project Name: 210

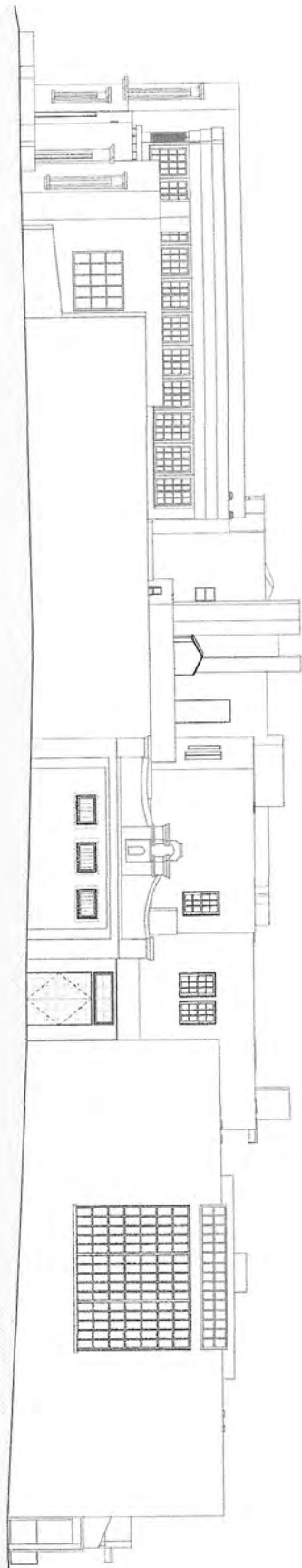
Scale: 1/4" = 1'-0"

Date: 1/10/2014

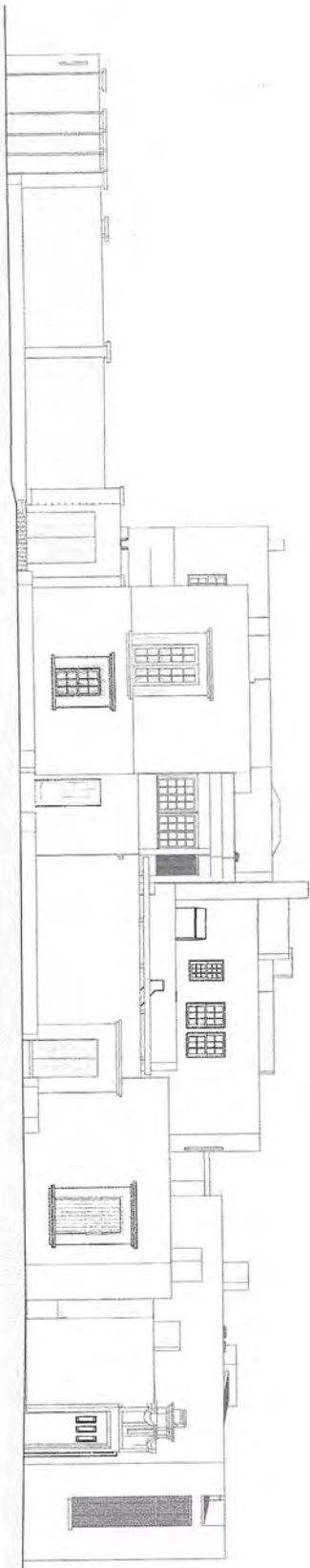
Drawing by:  
EXISTING SECOND  
FLOOR

Sheet Name:

A-2.02.



① NORTH  
3/16" = 1'-0"



② EAST  
3/16" = 1'-0"

**FALLING COLORS**

FOR CONSTRUCTION

28 Malcolm St. Salem, MA 01970

Project Number: 2103

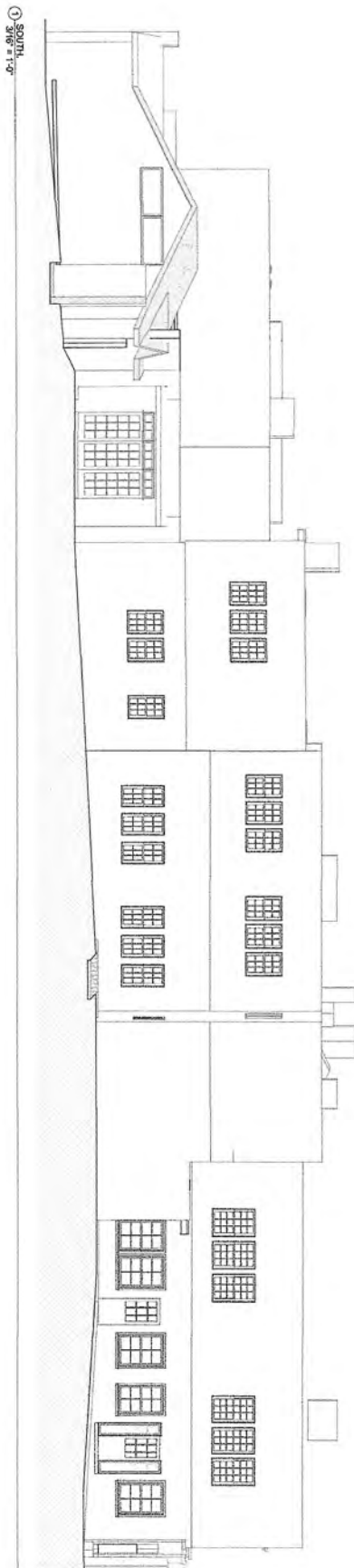
Scale: 3/16" = 1'-0"

Date: 11/23/2014

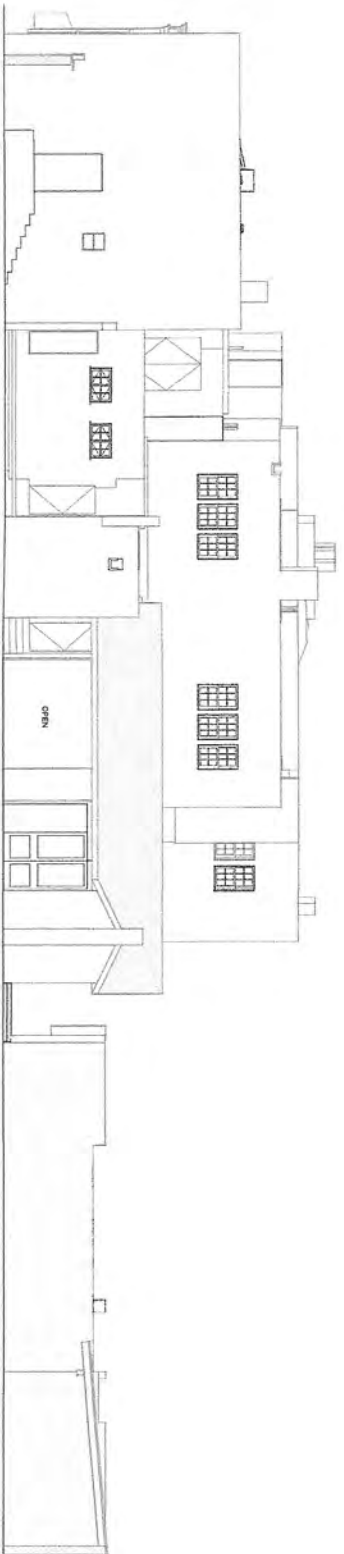
Drawing Title:  
**EXISTING  
EXTERIOR  
ELEVATIONS**

Sheet Number:

**A-5.01.**



① SOUTH  
3/16" = 1'-0"



② WEST  
3/16" = 1'-0"

**FALLING COLORS**

FOR CONSTRUCTION

200 Avenida de Santa Fe, Ann Arbor, MI 48107

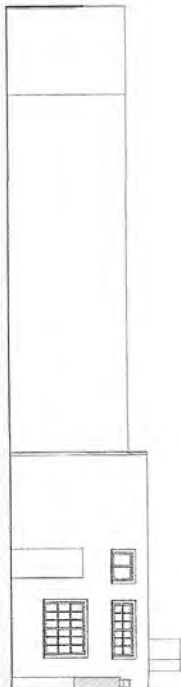
Project Number: 2189

Scale: 3/16" = 1'-0"

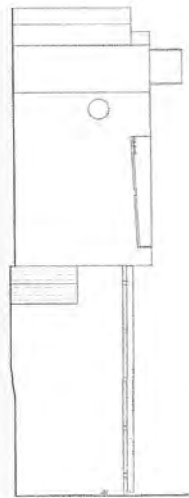
Date: 11/12/2008

Drawing Title:  
**EXISTING  
EXTERIOR  
ELEVATIONS**

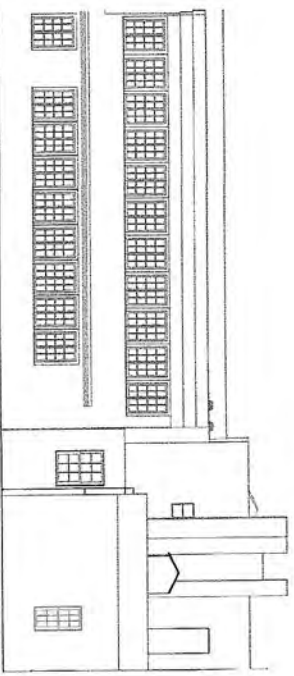
Sheet Number:  
**A-5.02.**



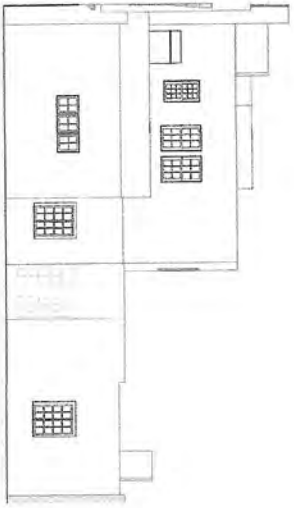
① COURTYARD NORTH  
3/8" = 1'-0"



② COURTYARD EAST  
3/8" = 1'-0"



③ COURTYARD SOUTH  
3/8" = 1'-0"



④ COURTYARD WEST  
3/8" = 1'-0"

**FALLING COLORS**

FOR CONSTRUCTION  
26 MADISON ST. SUITE 6, NJ 07091

Project Number : 2109

Scale : 3/8" = 1'-0"

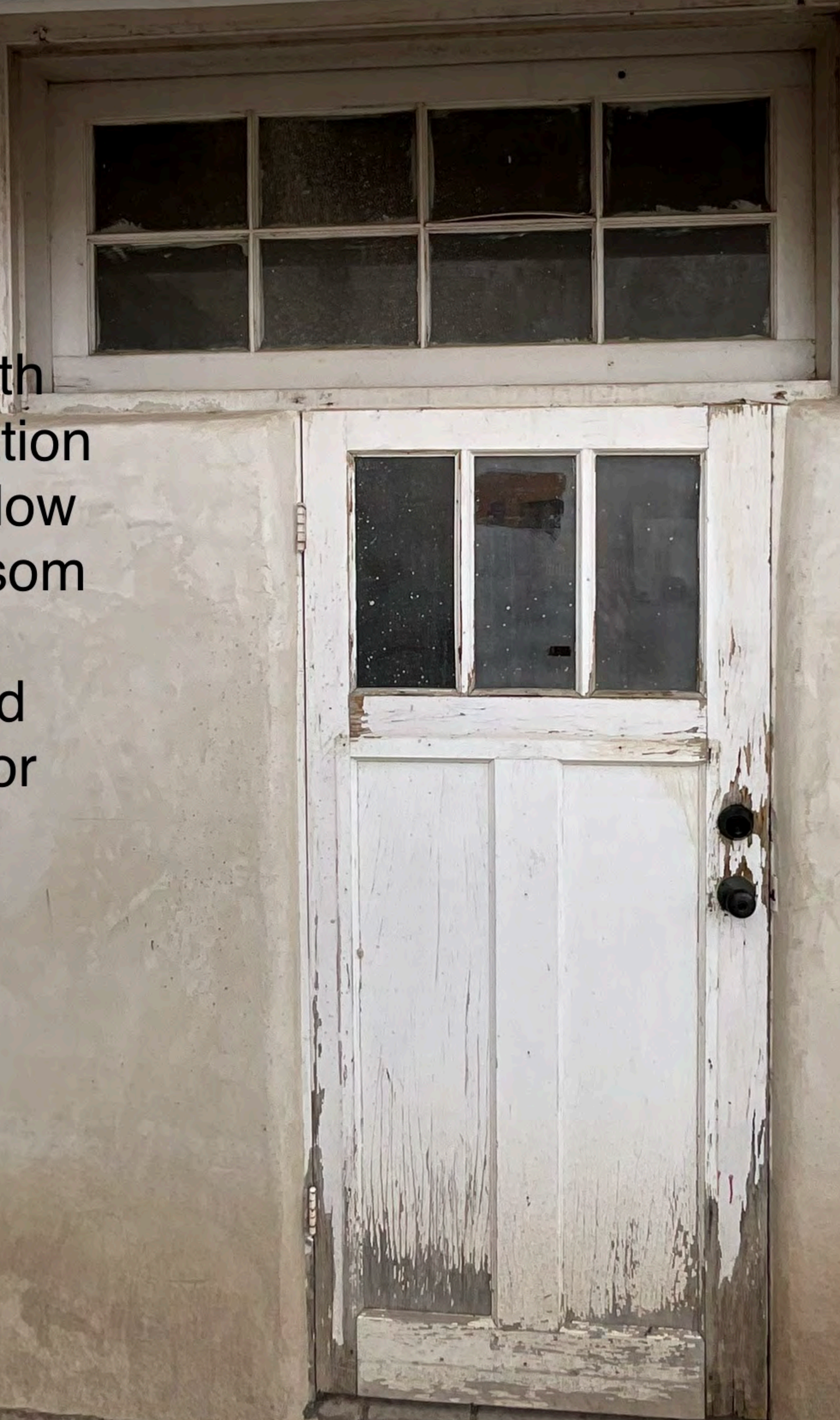
Date : 11/02/2014

Drawing Set :  
EXISTING  
EXTERIOR  
ELEVATIONS

Sheet Number :

**A-5.03.**

North  
Elevation  
Window  
Transom  
A  
And  
Door  
#1





West  
Elevation  
Door  
#2

West  
Elevation  
Door  
#3



DB

North Elevation  
Window  
B



West  
Elevation  
Door  
#4





West Elevation  
Window  
C

West  
Elevation  
Window  
D





West  
Elevation  
Window  
E



West  
Elevation  
Window  
F



West Elevation  
Window  
F



Door  
#5



Window  
E



PRIVATE  
PROPERTY  
NO PARKING



North Elevation  
Window G

North  
Elevation  
Door#6  
And Transom




North  
Elevation  
H windows(3)



North  
Elevation  
Window  
I



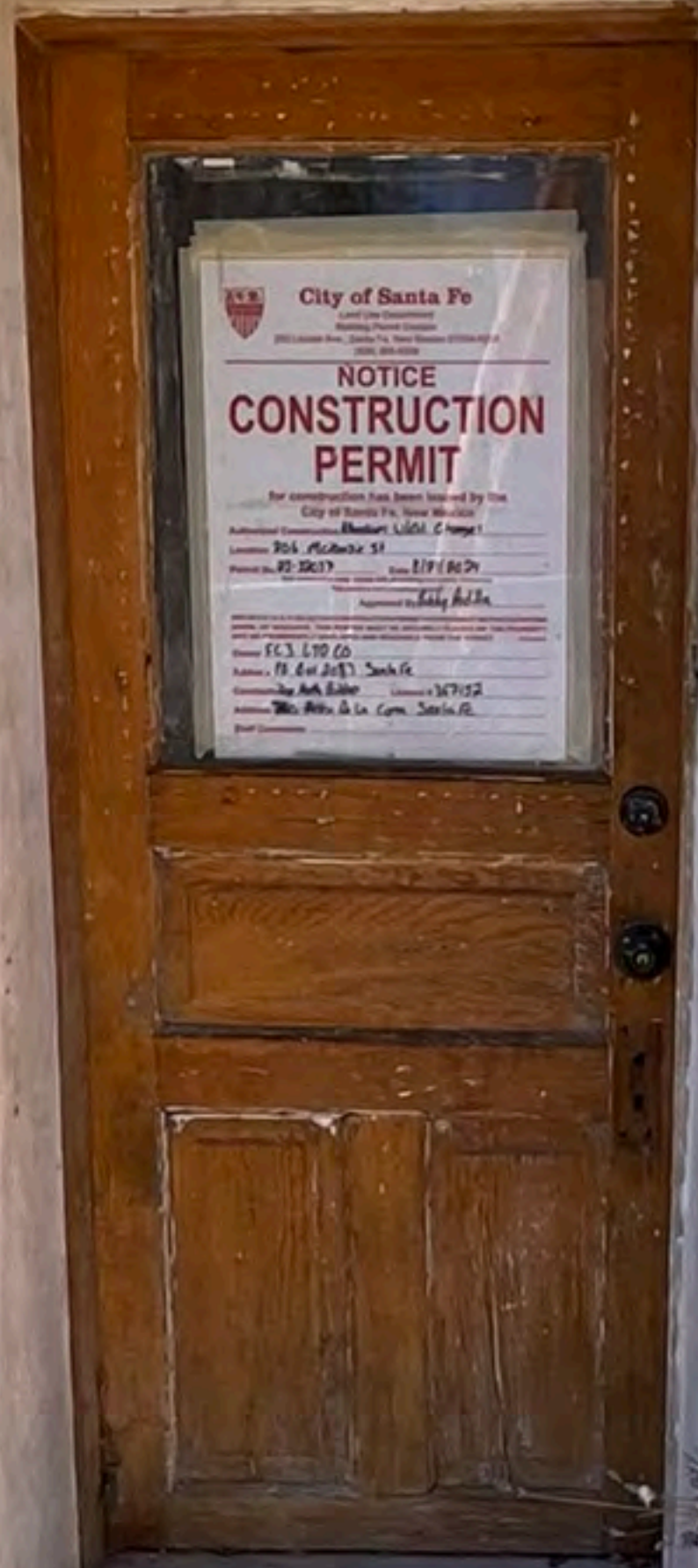


East  
Elevation  
Window  
J

East  
Elevation  
Door  
#7



East  
Elevation  
Door  
#8



East  
Elevation  
Window  
K



East  
Elevation  
Door  
#9

1. 4. 6.



South  
Elevation  
Window  
L



South  
Elevation  
Door  
#10



Text

South  
Elevation  
Window  
M



South  
Elevation  
Window  
N



South  
Elevation  
Door  
#11



South  
Elevation  
Window  
O




Elevation  
Window  
P



East  
Elevation  
Door  
#12



1. 4. 4.



2nd Flr  
East  
Elevation  
Window  
Q

West  
Elevation  
Window  
R





CLAY MADE  
1/20/12



West  
Elevation  
Door  
#13





West  
Elevation  
Door  
#13

Door Panel Insert

South  
Elevation  
Window  
S





South  
Elevation  
Window

T

South  
Elevation  
Window  
U



South  
Elevation  
Window  
V





West  
Elevation  
Window  
W

South  
Elevation  
Door  
#14



South  
Elevation  
Window  
X



South  
Elevation  
Window  
X



East  
Courtyard  
Elevation  
Window  
Y



H-R  
G SHE

Tuff-R

Tuff-R

X

East  
Courtyard  
Elevation  
Door #15



East  
Courtyard  
Elevation  
Window

Z

INSU

semi-rigid polyisocyanurate foam board  
is superior insulator to most foams. The higher the R-value, the greater  
the your value for the best value on R-values.  
Always requirements by IRC (Section 2002) Section 6000, BOCA (Section  
6000), IBC (Section 2003), Section 6000, GBC (Section 6000)  
1994-1995, Class 1, and ASTM C 1289, Type 1, Class



North  
Courtyard  
Elevation  
Window  
AA



East  
Courtyard  
Elevation  
Window  
BB



North  
Courtyard  
Elevation  
Window  
CC

North  
Courtyard  
Elevation  
Windows  
DD

North  
Courtyard  
Elevation  
Door  
#16



Courtyard  
Elevation  
Window  
DD

Window  
DD

Door  
#17



2nd Flr -East Elevation



Window  
EE

Window  
FF

14x14 HP



East  
Elevation  
Door  
#18



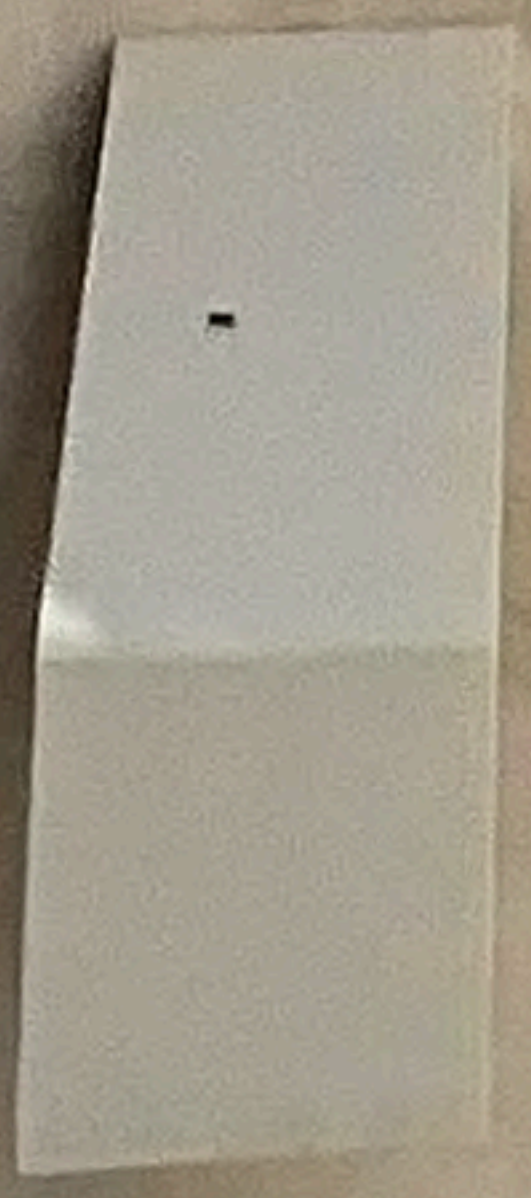


2nd Fl  
South  
Elevation  
Window  
GG

2nd Flr  
South  
Elevation  
Window  
HH



2nd Flr  
East  
Elevation  
Window  
II



1. 4. 4.



2nd Flr  
West Elevation  
Window  
JJ



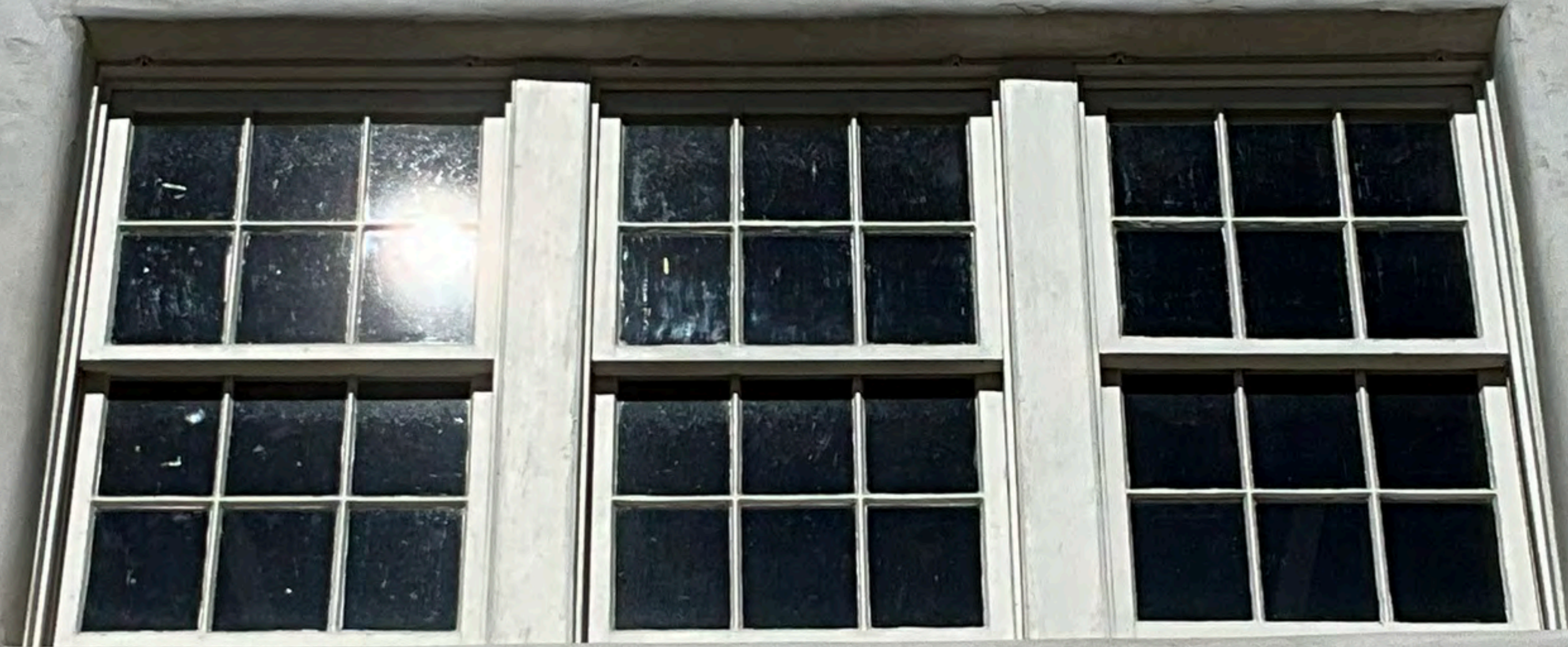
A photograph of a building's exterior wall. The upper portion of the wall is covered in white, textured stucco. A window with a white frame and multiple panes is visible. Below the window, the stucco is missing, revealing a rough, greyish-brown surface. To the right, several vertical pipes run down the wall. The sky is a clear, deep blue.

2nd Flr  
South  
Elevation  
Window  
KK

2nd Fl  
South Elevation  
Window  
LL



2nd Flr  
South  
Elevation  
Window  
MM



2nd Flr  
West  
Elevation  
.Window  
OO

2nd Flr  
West  
Elevation  
Window  
NN



2nd Flr  
North  
Elevation  
Window  
PP



2nd Flr  
East  
Elevation  
Window  
QQ



2nd Flr  
East  
Elevation  
Window  
RR



2nd Flr  
North  
Elevation  
Door  
#19



2nd Flr  
North  
Courtyard  
Elevation  
Window  
SS



2nd Flr  
Courtyard  
North  
• Elevation  
Windows  
TT





2nd Flr  
Courtyard  
North  
Elevation  
Windows  
TT

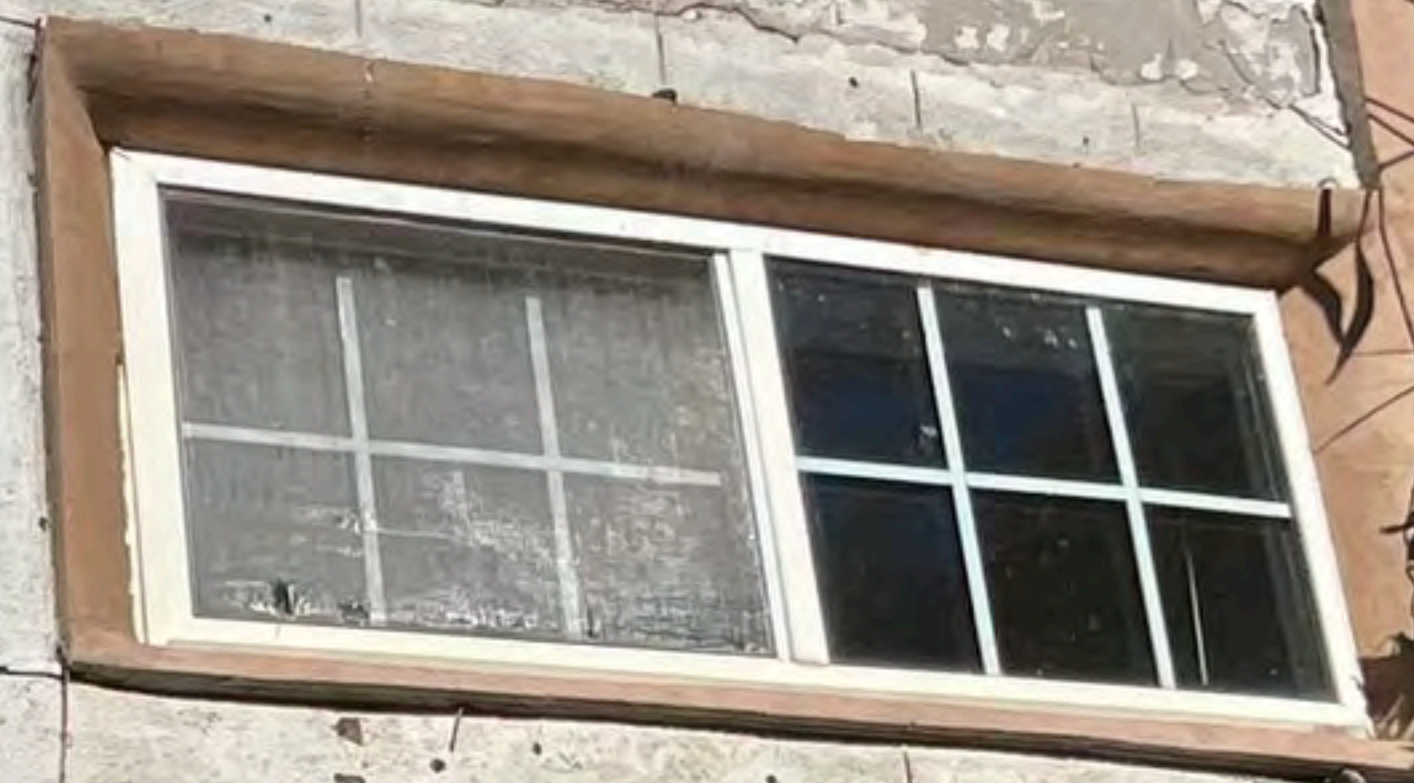
South  
Courtyard  
Elevation  
Door  
#20

South  
Courtyard  
Elevation  
Window  
UU



2nd Flr  
Courtyard  
South  
Elevation  
WW

Window  
VV



Basement  
South  
Elevation  
Door  
#21





South  
Courtyard  
Elevation  
Window  
XX



West  
Courtyard  
Elevation  
Window  
YY



206 McKenzie Street  
McKenzie Street / North Elevation



206 McKenzie Street  
Griffin Street / East Elevation



(Left side of South Elevation)



206 McKenzie St.  
South Elevation



ARCHAEO  
architects



10/4/2023

FALLING COLORS

FOR CONSTRUCTION

206 McKenzie St. Santa Fe, NM 87501

Project Number : 2109

Scale :

Date : 04/28/2025

Drawing Title :

DOOR SCHEDULE

Sheet Number :

A-10.01

DOOR SCHEDULE								
DOOR NO.	ROOM NUMBER & NAME	ELEV TYPE	WIDTH	HEIGHT	HINGES	HARDWARE GROUP	ACCESS CONTROL	NOTES
10	10 - BASEMENT	A	2' - 8"	6' - 4"	1.5 PR: 3.5" X 3.5", square corner	Cylinder Classroom, Leverhandle	-	NEW
100	100 - ENTRY	P	4' - 9"	6' - 10"	EXISTING TO BE REUSED	Active: RMH, Lever x Lever Handle passage w/ 8859 Mortise Lock RH OSCI - Dummy: RMH, Lever x Lever Fully dummy set LH OSCI - Surface Bolts: (2) RMH 12" w/ SB2MS Mortise Strikes Weatherstripping	OSCI - Assa Alba, Electric Strike, HES 1006	NEW DOORS TO MATCH EXISTING DESIGN
101A	101 - GALLERY	-	6' - 0"	7' - 10"	EXISTING TO BE REUSED	Active: RMH, Lever x Lever Handle passage w/ 8859 Mortise Lock RH OSCI - Dummy: RMH, Lever x Lever Fully Dummy set LH OSCI - Surface Bolts: (2) RMH 12" w/ SB2MS Mortise Strikes Door Sweep	OSCI - Assa Alba, Electric Strike, HES 1006	EXISTING DOORS TO BE REUSED
101B	101 - GALLERY	Q	3' - 9 1/2"	6' - 6"	OSCI - RMH: 3 PR: 3.5" X 3.5", concealed bearing butt, Silicon Bronze Dark (BD)	Active: RMH, Lever x Lever Handle passage w/ 8859 Mortise Lock RH OSCI - Dummy: RMH, Lever x Lever Fully Dummy set LH OSCI - Surface Bolts: (2) RMH 12" w/ SB2MS Mortise Strikes Door Sweep	OSCI - Assa Alba, Electric Strike, HES 1006	DOOR DESIGN TO MATCH 101A
101C	101 - GALLERY	R	3' - 9 1/2"	6' - 6"	1.5 PR: 3.5" X 3.5", square corner	RMH: Cylinder Classroom, Leverhandle	-	NEW SCREEN DOOR ON EXTERIOR
102A	102 - HALL	-	1' - 7"	6' - 5"	EXISTING TO BE REUSED	RMH: Cylinder Classroom, Leverhandle	-	EXISTING WOOD DOOR
102B	102 - HALL	N	3' - 1 1/2"	6' - 3"	OSCI - RMH: 1.5 PR: 3.5" X 3.5", concealed bearing butt, Silicon Bronze Dark (BD)	RMH: Lever x Lever Handle passage w/ 9159 Mortise Lock, Color: Silicon Bronze Dark (BD)	OSCI - Assa Alba, Electric Strike, HES 1006	NEW
102C	102 - HALL	M	2' - 7 1/2"	2' - 6"	2 PR: Deltana, Double Action Hinges, Color: Oil Rubbed Bronze	Ashley Norton, Push Plate 13" x 3"	-	NEW DOUBLE-SWING, DOUBLE ACTION
103B	103 - RESTROOM	-	2' - 6"	7' - 0"	EXISTING TO BE REUSED	RMH: Lever x Lever Handle passage w/ 9159 Mortise Lock, Color: Silicon Bronze Dark (BD)	OSCI - Assa Alba, Electric Strike, HES 1006	OSCI - LINCOLN
104A	104 - GREENHOUSE	E	4' - 10 3/4"	7' - 0"	3 PR: 3.5" X 3.5", square corner	RMH: Exterior Mortise Lockset, Color: Silicon Bronze Dark (BD) Astragal Coordinator Weatherstripping	-	NEW
104B	104 - GREENHOUSE	F	2' - 8"	6' - 2"	OSCI - RMH: 1.5 PR: 3.5" X 3.5", concealed bearing butt, Silicon Bronze Dark (BD)	RMH: Lever x Lever Handle passage w/ 8759 Mortise Lock	OSCI - Assa Alba, Electric Strike, HES 1006	NEW
106A	106 - KITCHEN	F	2' - 8"	6' - 2"	OSCI - RMH: 1.5 PR: 3.5" X 3.5", concealed bearing butt, Silicon Bronze Dark (BD)	RMH: Lever x Lever Handle passage w/ 8759 Mortise Lock	OSCI - Assa Alba, Electric Strike, HES 1006	NEW
107	107 - FOYER	D	8' - 0 3/4"	7' - 10"	OSCI - RMH: 3 PR: 3.5" X 3.5", concealed bearing butt, Silicon Bronze Dark (BD)	-	-	NEW
108A	108 - FOYER	D	8' - 0 3/4"	7' - 10"	OSCI - RMH: 3 PR: 3.5" X 3.5", concealed bearing butt, Silicon Bronze Dark (BD)	-	-	NEW
108B	108 - FOYER	G	5' - 0"	6' - 6"	OSCI - RMH: 3 PR: 3.5" X 3.5", concealed bearing butt, Silicon Bronze Dark (BD)	Active: RMH, Lever x Lever Handle passage w/ 9159 Mortise Lock RH Dummy: RMH, Lever x Lever Full dummy set LH Surface Bolts: (2) RMH 12" w/ SB2MS Mortise Strikes Weatherstripping	OSCI - Assa Alba, Electric Strike, HES 1006	NEW
108C	108 - FOYER	S	5' - 0"	6' - 6"	3 PR: 3.5" X 3.5", square corner	Active: RMH, Lever x Lever Handle passage w/ 9159 Mortise Lock RH Dummy: RMH, Lever x Lever Full dummy set LH Surface Bolts: (2) RMH 12" w/ SB2MS Mortise Strikes	OSCI - Assa Alba, Electric Strike, HES 1006	NEW
109A	109 - GARAGE	C	2' - 10"	6' - 4"	OSCI - RMH: 1.5 PR: 3.5" X 3.5", concealed bearing butt, Silicon Bronze Dark (BD)	RMH: Lever x Lever Handle passage w/ 8759 Mortise Lock Weatherstripping	OSCI - Assa Alba, Electric Strike, HES 1006	NEW
109B	109 - GARAGE	K	2' - 6"	6' - 8"	OSCI - RMH: 1.5 PR: 3.5" X 3.5", concealed bearing butt, Silicon Bronze Dark (BD)	-	-	NEW
110A	110 - CONFERENCE	-	2' - 6"	6' - 6"	EXISTING TO BE REUSED	Dummy: RMH, Lever x Lever Fully Dummy set	OSCI - Assa Alba, Electric Strike, HES 1006 Assa Alba, Electric Strike, HES 4500C	OSCI - LINCOLN
110B	110 - CONFERENCE	J	9' - 0"	8' - 2"	OSCI - RMH: 3 PR: 3.5" X 3.5", concealed bearing butt, Silicon Bronze Dark (BD)	RMH, Lever x Lever Handle Single Cylinder Mortise Entry Set w/ NO Turnpiece Weatherstripping	OSCI - Assa Alba, Electric Strike, HES 1006	NEW
111	111 - RESTROOM	-	3' - 0"	6' - 8"	EXISTING TO BE REUSED	Ashley Norton, Privacy Bolt OSCI - Ashley Norton, passage set w/ Lever Handle	-	OSCI - LINCOLN
112	112 - RESTROOM	-	3' - 0"	6' - 8"	EXISTING TO BE REUSED	Ashley Norton, Privacy Bolt Ashley Norton, Passage Set w/ Lever handle	-	OSCI - LINCOLN
114B	114 - RECEPTION	-	2' - 0"	6' - 6"	EXISTING TO BE REUSED	Ashley Norton, Passage Set w/ Knob	-	EXISTING WOOD DOOR
114C	114 - RECEPTION	L	2' - 6"	6' - 0"	OSCI - RMH: 1.5 PR: 3.5" X 3.5", concealed bearing butt, Silicon Bronze Dark (BD)	-	-	NEW
114D	114 - RECEPTION	S	3' - 9 1/2"	6' - 10"	OSCI - RMH: 3 PR: 3.5" X 3.5", concealed bearing butt, Silicon Bronze Dark (BD)	-	-	NEW
115	115 - OFFICE	-	3' - 0"	7' - 0"	EXISTING TO BE REUSED	RMH: Lever x Lever Handle passage w/ 9159 Mortis Lock	OSCI - Assa Alba, Electric Strike, HES 1006	MATCH DOOR 100A
116	116 - RESTROOM	-	3' - 0"	7' - 0"	EXISTING TO BE REUSED	EXISTING	-	OSCI - LINCOLN
117	117 - AV	-	3' - 0"	7' - 0"	EXISTING TO BE REUSED	RMH: Lever x Lever Handle Single Cylinder Mortise Entry Set w/ NO Turnpiece	OSCI - Assa Alba, Electric Strike, HES 1006	OSCI - LINCOLN
118	118 - CONFERENCE	-	3' - 0"	7' - 0"	EXISTING TO BE REUSED	RMH: Fully Dummy Set w/ Lever Handle, 8859 Mortise Lock	OSCI - (2) Assa Alba, Electric Strike, HES 1006	OSCI - LINCOLN
119	119 - OFFICE	I	4' - 8 1/2"	6' - 2"	OSCI - RMH: 3 PR: 3.5" X 3.5", concealed bearing butt, Silicon Bronze Dark (BD)	RMH: Lever x Lever Passage set w/ 8859 Mortise Lock	OSCI - Assa Alba, Electric Strike, HES 1006	NEW
121	121 - RESTROOM	-	3' - 0"	7' - 0"	EXISTING TO BE REUSED	Ashley Norton, Privacy Bolt OSCI - Ashley Norton, Passage Set w/ Lever Handle	-	OSCI - LINCOLN
123	123 - HALL	I	5' - 0"	7' - 0"	RMH: 3 PR: 3.5" X 3.5", concealed bearing butt, Silicon Bronze Dark (BD)	RMH: Lever x Lever Handle Passage w/ 9059 Mortise Lock Weatherstripping	Assa Alba, Electric Strike, HES 1006	NEW
124	124 - OFFICE	H	2' - 8 1/2"	6' - 5"	OSCI - RMH: 1.5 PR: 3.5" X 3.5", concealed bearing butt, Silicon Bronze Dark (BD)	RMH: Lever x Lever Handle passage w/ 8759 Mortise Lock	Assa Alba, Electric Strike, HES 1006	NEW
126	126 - RESTROOM	-	2' - 6"	6' - 8"	RMH: 1.5 PR: 3.5" X 3.5", concealed bearing butt, Silicon Bronze Dark (BD)	Ashley Norton, Privacy Bolt	-	NEW
127	127 - HALL	N	2' - 9"	6' - 5"	OSCI - RMH: 1.5 PR: 3.5" X 3.5", concealed bearing butt, Silicon Bronze Dark (BD)	RMH: Lever x Lever Handle classroom	-	NEW
128	128 - CLOSET	-	3' - 4"	6' - 6"	EXISTING TO BE REUSED	Deltana: Ball Catch, Color: Oil Rubbed Bronze	-	EXISTING WOOD PAIR DOORS
129	129 - JANITOR	-	3' - 4"	6' - 6"	EXISTING TO BE REUSED	Deltana: Ball Catch, Color: Oil Rubbed Bronze	-	EXISTING WOOD PAIR DOORS
130A	130 - BREAKOUT	-	2' - 8"	6' - 8"	EXISTING TO BE REUSED	RMH: Fully Dummy Set w/ Lever Handle, 8859 Mortise Lock	Assa Alba, Electric Strike, HES 1006 Assa Alba, Electric Strike, HES 1006	OSCI - LINCOLN
130B	130 - BREAKOUT	H	4' - 0"	6' - 8"	OSCI - RMH: 1.5 PR: 3.5" X 3.5", concealed bearing butt, Silicon Bronze Dark (BD)	RMH: Lever x Lever Handle passage w/ 8759 Mortise Lock	Assa Alba, Electric Strike, HES 1006	NEW
131	131 - ENTRY	F	3' - 0"	6' - 6"	OSCI - RMH: 1.5 PR: 3.5" X 3.5", concealed bearing butt, Silicon Bronze Dark (BD)	RMH: Lever x Lever Handle Single Cylinder Mortise Entry Set Weatherstripping	Assa Alba, Electric Strike, HES 1006	NEW
132A	132 - CAFE	F	2' - 8"	6' - 7"	OSCI - RMH: 1.5 PR: 3.5" X 3.5", concealed bearing butt, Silicon Bronze Dark (BD)	-	-	NEW
132B	132 - CAFE	F	2' - 8"	6' - 7"	OSCI - RMH: 1.5 PR: 3.5" X 3.5", concealed bearing butt, Silicon Bronze Dark (BD)	-	-	NEW
133	133 - RESTROOM	-	3' - 0"	7' - 0"	EXISTING	Inox, Privacy Bolt w/ Indicator OSCI - Ashley Norton, Passage Set w/ Lever Handle	-	OSCI - LINCOLN

LEGEND:

OSCI - OWNER SUPPLIED, CONTRACTOR INSTALLED

LINCOLN = REINSTALL OWNER-PROVIDED DOOR FROM PREVIOUS OFFICE. CUT TO FIT OPENING

LINCOLN GLASS - REINSTALL OWNER-PROVIDED DOOR WITH GLASS LITE FROM PREVIOUS OFFICE. CUT TO FIT OPENING

METAL GRATE = ADD METAL SECURITY GRATE OVER GLAZING TO MATCH EXISTING GRATES

RMH = ROCKY MOUNTAIN HARDWARE



A R C H A E O  
architects



10/4/2023

DOOR SCHEDULE 2									
DOOR NO.	ROOM NUMBER & NAME	ELEV TYPE	WIDTH	HEIGHT	HINGES	HARDWARE GROUP	ACCESS CONTROL	NOTES	
134	134 - RESTROOM	-	3' - 0"	7' - 0"	EXISTING TO BE REUSED	Inox, Privacy Bolt w/ Indicator	-	OSCI - LINCOLN	
135A	135 - HALL	F	2' - 8"	6' - 4"	OSCI - RMH: 1.5 PR: 3.5" X 3.5", concealed bearing butt, Silicon Bronze Dark (BD)	RMH: Lever x Lever Handle Single Cylinder Mortise Entry Set Weatherstripping	Assa Alba, Electric Strike, HES 1006	NEW W/ SHATTERPROOF GLASS	
135B	135 - HALL	F	2' - 7 1/2"	6' - 6"	OSCI - RMH: 1.5 PR: 3.5" X 3.5", concealed bearing butt, Silicon Bronze Dark (BD)	RMH: Lever x Lever Handle Passage w/ 8759 Mortise Lock Weatherstripping	Assa Alba, Electric Strike, HES 1006	NEW	
135C	135 - HALL	-	2' - 8"	6' - 8"	OSCI - RMH: 1.5 PR: 3.5" X 3.5", concealed bearing butt, Silicon Bronze Dark (BD)			OSCI - LINCOLN GLASS	
135D	CY3	U	3' - 8"	7' - 4"	3 PR: 3.5" X 3.5", square corner	RMH: PR 12" Surface Bolts w/ SB2MS Mortise Strikes	Assa Alba, Electric Strike, HES 1006	REUSE DECORATIVE PANELS	
137	137 - RESTROOM	-	2' - 0"	6' - 6"	EXISTING TO BE REUSED	Ashley Norton, Privacy Bolt, Color: Dark Bronze	-	EXISTING WOOD DOOR	
138	138 - OFFICE	O	2' - 8"	6' - 7"	1.5 PR: 3.5" X 3.5", square corner	RMH: Lever x Lever Handle Passage w/ 9159 Mortise Lock Weatherstripping	Assa Alba, Electric Strike, HES 1006	NEW DOORS TO MATCH EXISTING DESIGN	
139	139 - STORAGE	B	5' - 4"	7' - 0"	3 PR: 3.5" X 3.5", square corner	Cylinder Classroom, Leverhandle Astragal Weatherstripping	-	NEW	
140	140 - STORAGE	B	5' - 0"	6' - 8"	3 PR: 3.5" X 3.5", square corner	Cylinder Classroom, Leverhandle	-	NEW	
141B	CY2	P	5' - 0"	7' - 8"	3 PR: 3.5" X 3.5", square corner	RMH: Cylinder Classroom, Leverhandle	-	NEW DOORS TO MATCH EXISTING DESIGN	
141C	CY2	S	5' - 0"	7' - 8"	3 PR: 3.5" X 3.5", square corner		-	NEW - NO SCREEN	
143	CY1	R	4' - 10"	7' - 0"	3 PR: 3.5" X 3.5", square corner	RMH: Lever x Lever Handle Passage set w/ 8859 Mortise Lock	Assa Alba, Electric Strike, HES 1006	NEW - NO SCREEN	
200	200 - RESTROOM	-	2' - 6"	7' - 0"	EXISTING TO BE REUSED	Ashley Norton, Restroom Privacy Pocket Door	-	OSCI - LINCOLN	
202A	202 - OFFICE	-	2' - 6"	7' - 0"	EXISTING TO BE REUSED	EXISTING	-	OSCI - LINCOLN	
202B	202 - OFFICE	-	2' - 10"	6' - 6"	EXISTING TO BE REUSED	EXISTING	-	EXISTING WOOD DOOR - SWITCH SWING	
203	203 - OFFICE	-	2' - 8"	7' - 0"	EXISTING TO BE REUSED	EXISTING	-	OSCI - LINCOLN	
204	204 - CLOSET	-	2' - 8"	6' - 8"	EXISTING TO BE REUSED	EXISTING	-	EXISTING WOOD DOOR	
205	205 - OFFICE	-	2' - 10"	6' - 9"	EXISTING TO BE REUSED	EXISTING	-	OSCI - LINCOLN	
206	206 - CLOSET	T	3' - 11"	6' - 8"	RMH: 3 PR: 3.5" X 3.5", concealed bearing butt, Silicon Bronze Dark (BD)	RMH: Lever x Lever Full Dummy set BOTH SIDES Deltana: Ball Catch, Color: Oil Rubbed Bronze	-	NEW	
207	207 - CLOSET	T	3' - 11"	6' - 8"	RMH: 3 PR: 3.5" X 3.5", concealed bearing butt, Silicon Bronze Dark (BD)	RMH: Lever x Lever Handle Passage set w/ 8759 Mortise Lock OSCI - RMH: Single dummy Set w/ Lever Handle OSCI - RMH: PR Mini Surface Bolts	Assa Alba, Electric Strike, HES 1006	NEW	
209A	209 - RESTROOM	-	2' - 0"	6' - 0"	EXISTING TO BE REUSED	Ashley Norton, Privacy Bolt	-	OSCI - LINCOLN	
209B	209 - RESTROOM	-	2' - 0"	6' - 0"	EXISTING TO BE REUSED	Ashley Norton, Passage Set w/ Knob	-	EXISTING WOOD DOOR	
211	211 - CONFERENCE	H	2' - 4"	6' - 2"	OSCI - RMH: 1.5 PR: 3.5" X 3.5", concealed bearing butt, Silicon Bronze Dark (BD)	RMH: Lever x Lever Handle passage Set w/ 8759 Mortise Lock Weatherstripping	Assa Alba, Electric Strike, HES 1006	NEW - SEE 9/A-9.01 FOR FLASHING	
213	213 - ELEC	K	2' - 8"	6' - 8"	OSCI - RMH: 1.5 PR: 3.5" X 3.5", concealed bearing butt, Silicon Bronze Dark (BD)	Ashley Norton, Passage Set w/ Knob	-	NEW	
216	216 - HALL	-	5' - 0"	6' - 6"	EXISTING TO BE REUSED	Ashley Norton, 2 PR Single Dummy Set w/ Knob Handle OSCI - PR Deltana Ball Catch	-	EXISTING WOOD PAIR DOORS	
217	217 - OFFICE	-	2' - 7"	6' - 6"	EXISTING TO BE REUSED	EXISTING	-	OSCI - LINCOLN	
218	218 - CLOSET	-	4' - 0"	6' - 6"	EXISTING TO BE REUSED	EXISTING	-	EXISTING WOOD DOORS	
219	219 - CLOSET	-	4' - 0"	6' - 6"	EXISTING TO BE REUSED	EXISTING	-	EXISTING WOOD DOORS	
222	222 - PANTRY	-	2' - 6"	6' - 6"	EXISTING TO BE REUSED	Ashley Norton, Passage Set w/ Knob Weatherstripping	-	EXISTING WOOD PAIR DOORS FROM HALL 208-RELOCATED	
224	224 - RESTROOM	-	2' - 6"	6' - 6"	EXISTING TO BE REUSED	Ashley Norton, Privacy Bolt	-	OSCI - LINCOLN	
226A	226 - OFFICE	-	3' - 0"	7' - 0"	EXISTING TO BE REUSED	Ashley Norton, Passage Set w/ Knob	-	OSCI - LINCOLN GLASS	
226B	226 - OFFICE	-	2' - 6"	6' - 4"	EXISTING TO BE REUSED	RMH: Lever x Lever Handle Passage set w/ 8759 Mortise Lock	Assa Alba, Electric Strike, HES 1006	OSCI - LINCOLN	
226C	226 - OFFICE	I	4' - 0"	6' - 6"	RMH: 3 PR: 3.5" X 3.5", concealed bearing butt, Silicon Bronze Dark (BD)	EXISTING	-	NEW	
227	227 - MECHANICAL	-	5' - 0"	6' - 6"	EXISTING	ACTIVE: Cylinder Classroom, Leverhandle RHR DUMMY: Dummy Lever Handle, Both Sides	-	EXISTING STEEL PAIR DOORS	

LEGEND:

OSCI - OWNER SUPPLIED, CONTRACTOR INSTALLED

LINCOLN = REINSTALL OWNER-PROVIDED DOOR FROM PREVIOUS OFFICE. CUT TO FIT OPENING

LINCOLN GLASS - REINSTALL OWNER-PROVIDED DOOR WITH GLASS LITE FROM PREVIOUS OFFICE. CUT TO FIT OPENING

METAL GRATE = ADD METAL SECURITY GRATE OVER GLAZING TO MATCH EXISTING GRATES

FALLING COLORS

FOR CONSTRUCTION

206 McKenzie St. Santa Fe, NM 87501

Project Number : 2109

Scale :

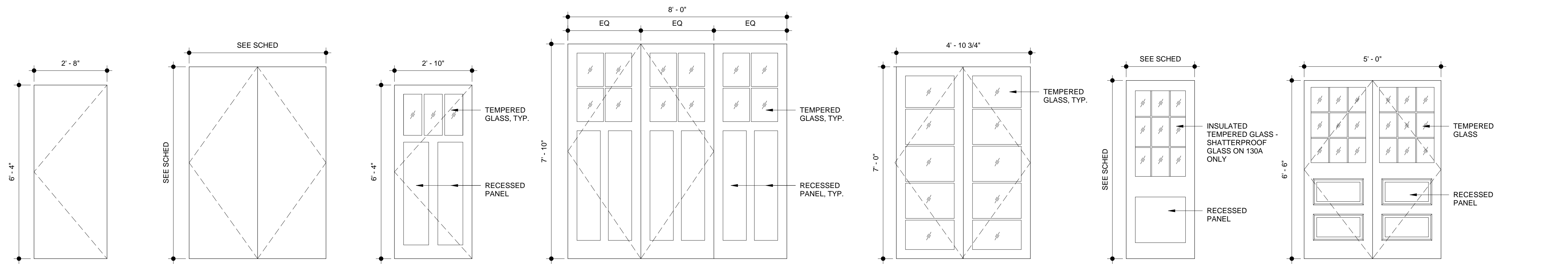
Date : 04/28/2025

Drawing Title :

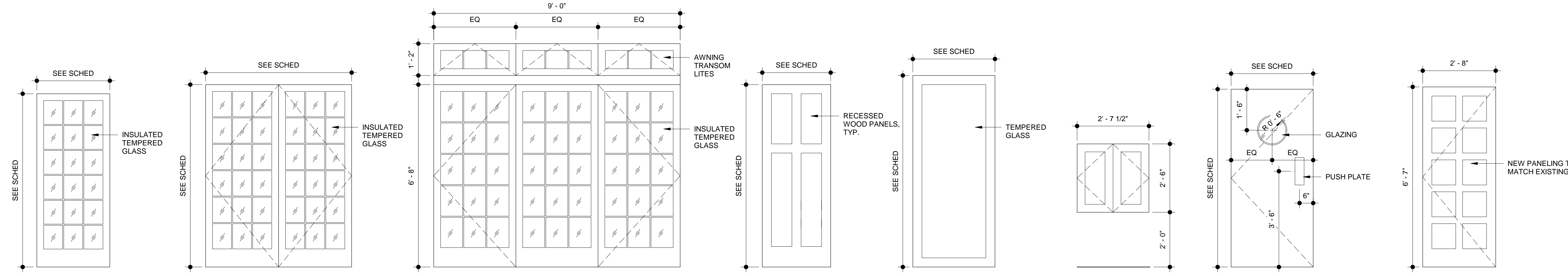
DOOR SCHEDULE

Sheet Number :

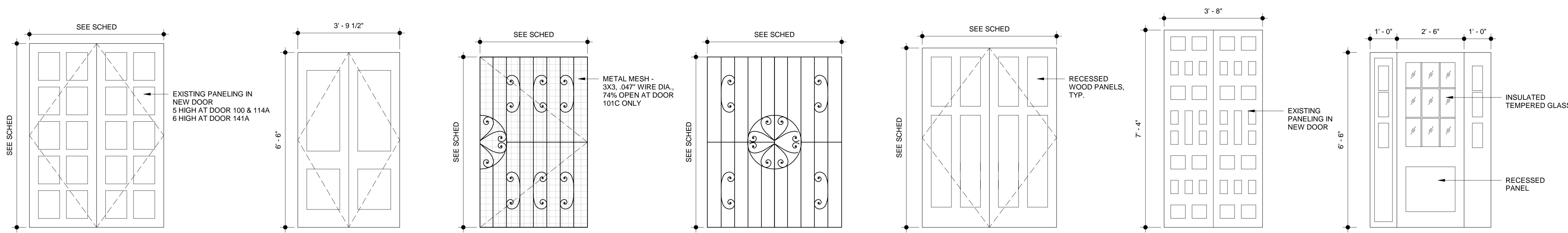
A-10.02



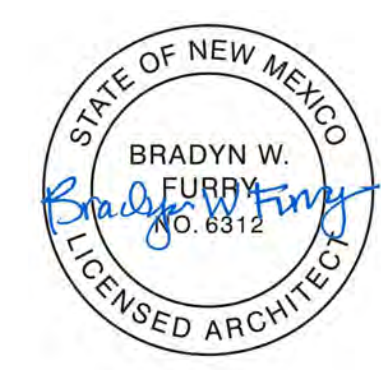
TYPE A INSULATED METAL FLUSH PANEL DOOR: 10  
 TYPE B INSULATED METAL DOUBLE FLUSH PANEL DOORS: 139, 140, 227  
 TYPE C WOOD DOOR: 109A  
 TYPE D WOOD DOORS: 107, 108A  
 TYPE E WOOD DOOR: 104A  
 TYPE F WOOD DOORS: 104B, 106A, 131, 132A, 135A, 135B  
 TYPE G DOUBLE WOOD DOORS: 108B



TYPE H WOOD DOORS: 124, 130B, 211  
 TYPE I DOUBLE WOOD DOORS: 123, 119  
 TYPE J WOOD DOORS: 110B  
 TYPE K WOOD DOORS: 109B, 213  
 TYPE L WOOD DOORS: 114C, 135C  
 TYPE M DOUBLE WOOD DOORS: 102C  
 TYPE N WOOD DOORS: 102B, 127  
 TYPE O WOOD DOOR: 138



TYPE P DOUBLE WOOD DOOR: 100, 114A, 141A  
 TYPE Q DOUBLE WOOD DOOR: 101B  
 TYPE R SINGLE METAL GATE DOOR: 101C, 143  
 TYPE S DOUBLE METAL GATE DOOR: 108C, 114D, 141A  
 TYPE T DOUBLE WOOD DOOR: 206, 207  
 TYPE U DOOR: 142  
 TYPE V WOOD DOOR: 132B



10/4/2023

FALLING COLORS

FOR CONSTRUCTION  
 206 McKenzie St. Santa Fe, NM 87501

Project Number : 2109  
 Scale : 1/2" = 1'-0"  
 Date : 04/28/2025

Drawing Title :

DOOR TYPES

Sheet Number :



WINDOW SCHEDULE					
WINDOW NO.	WINDOW				NOTES
	ELEV TYPE	ROOM NO. & NAME	WIDTH	HEIGHT	
1SL		104 - GREENHOUSE	3' - 4"	7' - 10"	SKYLIGHT - VENTED / FIXED
2SL		104 - GREENHOUSE	3' - 4"	7' - 10"	SKYLIGHT - VENTED / FIXED
4SL		200 - RESTROOM	3' - 0"	3' - 0"	SKYLIGHT - FIXED
5SL		201 - HALL	2' - 0"	9' - 0"	SKYLIGHT - FIXED
6SL		100 - ENTRY	1' - 0"	14' - 6"	SKYLIGHT - OPERABLE
A	A	109 - GARAGE	5' - 0"	2' - 0"	
AA	I	122 - OFFICE	2' - 4"	4' - 6"	
B	B	105 - PANTRY	3' - 1"	2' - 11"	
BB1	P	122 - OFFICE	1' - 8"	2' - 2"	
BB2	P	122 - OFFICE	1' - 8"	2' - 2"	
BB3	P	122 - OFFICE	1' - 8"	2' - 2"	
C	C	102 - HALL	8' - 7"	2' - 4"	
CC	I	127 - HALL	2' - 10"	4' - 6"	
DD1	M	135 - HALL	3' - 0"	4' - 1"	
DD2	M	135 - HALL	3' - 0"	4' - 1"	
DD3	M	135 - HALL	3' - 0"	4' - 1"	
DD4	M	135 - HALL	3' - 0"	4' - 1"	
DD5	M	135 - HALL	3' - 0"	4' - 1"	
DD6	M	135 - HALL	3' - 0"	4' - 1"	
DD7	M	135 - HALL	3' - 0"	4' - 1"	
DD8	M	135 - HALL	3' - 0"	4' - 1"	
DD9	M	135 - HALL	3' - 0"	4' - 1"	
DD10	M	135 - HALL	3' - 0"	4' - 1"	
E	D	101 - GALLERY	1' - 7"	2' - 2"	
EE	M	223 - HALL	3' - 3"	3' - 9"	
F	E	101 - GALLERY	5' - 0"	5' - 0"	
FF	M	223 - HALL	3' - 3"	3' - 9"	
G	F	100 - ENTRY	4' - 9"	2' - 6"	
GG1	I	226 - CONFERENCE	2' - 8"	4' - 6"	
GG2	I	226 - CONFERENCE	2' - 8"	4' - 6"	
GG3	I	226 - CONFERENCE	2' - 8"	4' - 6"	
H1	G	125 - KITCHEN	3' - 4"	2' - 2"	
H2	G	124 - OFFICE	3' - 4"	2' - 2"	
H3	G	126 - RESTROOM	3' - 4"	2' - 2"	
HH1	I	225 - OFFICE	2' - 8"	4' - 6"	
HH2	I	225 - OFFICE	2' - 8"	4' - 6"	
HH3	I	225 - OFFICE	2' - 8"	4' - 6"	
I	H	138 - OFFICE	6' - 0"	5' - 1"	
II	I	217 - OFFICE	2' - 4"	3' - 11"	
J	I	138 - OFFICE	3' - 0"	5' - 9"	
JJ1	I	217 - OFFICE	2' - 8"	4' - 6"	
JJ2	I	217 - OFFICE	2' - 8"	4' - 6"	
K	I	132 - CAFE	3' - 0"	5' - 9"	
KK1	I	211 - CONFERENCE	2' - 8"	4' - 6"	
KK2	I	211 - CONFERENCE	2' - 8"	4' - 6"	
KK3	I	211 - CONFERENCE	2' - 8"	4' - 6"	
L	I	132 - CAFE	2' - 8"	4' - 6"	
LL1	I	211 - CONFERENCE	2' - 8"	4' - 6"	
LL2	I	211 - CONFERENCE	2' - 8"	4' - 6"	
LL3	I	211 - CONFERENCE	2' - 8"	4' - 6"	
M	I	132 - CAFE	2' - 8"	4' - 6"	
MM1	I	202 - OFFICE	2' - 4"	3' - 11"	
MM2	I	202 - OFFICE	2' - 4"	3' - 11"	

WINDOW SCHEDULE					
WINDOW NO.	WINDOW				NOTES
	ELEV TYPE	ROOM NO. & NAME	WIDTH	HEIGHT	
MM3	I	202 - OFFICE	2' - 4"	3' - 11"	
N	I	132 - CAFE	2' - 8"	4' - 6"	
NN1	I	202 - OFFICE	2' - 4"	3' - 11"	
NN2	I	202 - OFFICE	2' - 4"	3' - 11"	
NN3	I	202 - OFFICE	2' - 4"	3' - 11"	
O	I	132 - CAFE	2' - 8"	4' - 6"	
OO1	I	203 - OFFICE	2' - 4"	3' - 11"	
OO2	I	203 - OFFICE	2' - 4"	3' - 11"	
OO3	I	203 - OFFICE	2' - 4"	3' - 11"	
OO4	I	203 - OFFICE	2' - 4"	3' - 11"	
OO5	I	203 - OFFICE	2' - 4"	3' - 11"	
P	I	132 - CAFE	2' - 8"	3' - 11"	
PP	N	205 - OFFICE	3' - 0"	3' - 10"	
Q	J	130 - BREAKOUT	6' - 0"	1' - 8"	
QQ1	I	205 - OFFICE	2' - 4"	3' - 11"	
QQ2	I	205 - OFFICE	2' - 4"	3' - 11"	
R	I	130 - BREAKOUT	1' - 9"	3' - 2"	
RR	I	209 - RESTROOM	2' - 1"	3' - 5"	
S1	I	118 - CONFERENCE	2' - 4"	4' - 6"	
S2	I	118 - CONFERENCE	2' - 4"	4' - 6"	
S3	I	118 - CONFERENCE	2' - 4"	4' - 6"	
SS	D	212 - BREAKROOM	1' - 6"	2' - 0"	
T1	I	118 - CONFERENCE	2' - 4"	4' - 6"	
T2	I	118 - CONFERENCE	2' - 4"	4' - 6"	
T3	I	118 - CONFERENCE	2' - 4"	4' - 6"	
TT1	M	223 - HALL	3' - 0"	4' - 1"	
TT2	M	223 - HALL	3' - 0"	4' - 1"	
TT3	M	223 - HALL	3' - 0"	4' - 1"	
TT4	M	223 - HALL	3' - 0"	4' - 1"	
TT5	M	223 - HALL	3' - 0"	4' - 1"	
TT6	M	223 - HALL	3' - 0"	4' - 1"	
TT7	M	223 - HALL	3' - 0"	4' - 1"	
TT8	M	223 - HALL	3' - 0"	4' - 1"	
TT9	M	223 - HALL	3' - 0"	4' - 1"	
TT10	M	223 - HALL	3' - 0"	4' - 1"	
TT11	M	223 - HALL	3' - 0"	4' - 1"	
U	I	116 - RESTROOM	2' - 4"	3' - 11"	
UU	I	138 - OFFICE	5' - 0"	3' - 6"	
V1	I	115 - OFFICE	2' - 4"	3' - 11"	
V2	I	115 - OFFICE	2' - 4"	3' - 11"	
VV	O	138 - OFFICE	5' - 0"	2' - 0"	
W1	I	115 - OFFICE	2' - 4"	3' - 11"	
W2	I	115 - OFFICE	2' - 4"	3' - 11"	
WW	G	138 - OFFICE	2' - 6"	2' - 0"	
X1	A	109 - GARAGE	5' - 0"	2' - 0"	
X2	A	109 - GARAGE	5' - 0"	2' - 0"	
Y	I	124 - OFFICE	3' - 0"	3' - 10"	
YY	Q	138 - OFFICE			
Z	I	119 - OFFICE	3' - 0"	3' - 10"	
ZZ1	B	104 - GREENHOUSE	2' - 7"	4' - 0"	
ZZ2	B	104 - GREENHOUSE	2' - 7"	4' - 0"	
ZZ3	B	104 - GREENHOUSE	2' - 7"	4' - 0"	
ZZ4	B	104 - GREENHOUSE	2' - 7"	4' - 0"	



10/4/2023

FALLING COLORS

FOR CONSTRUCTION  
206 McKenzie St. Santa Fe, NM 87501

Project Number : 2109

Scale :

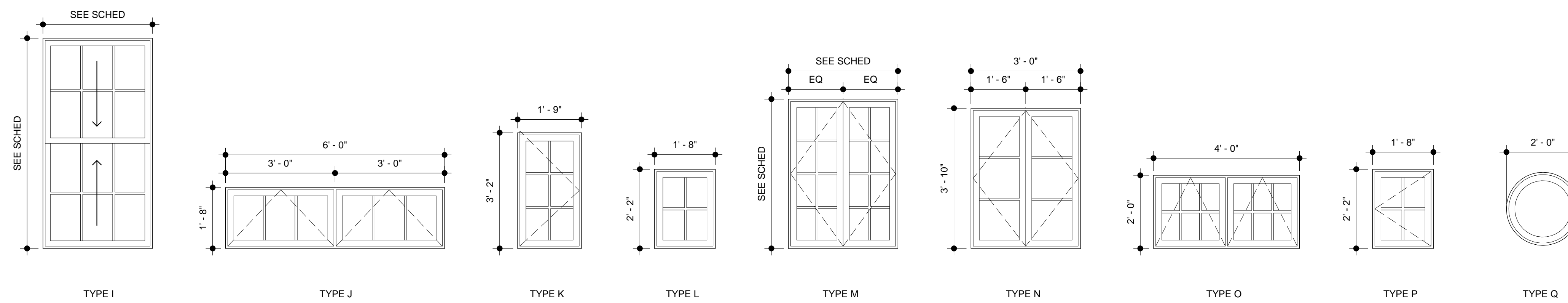
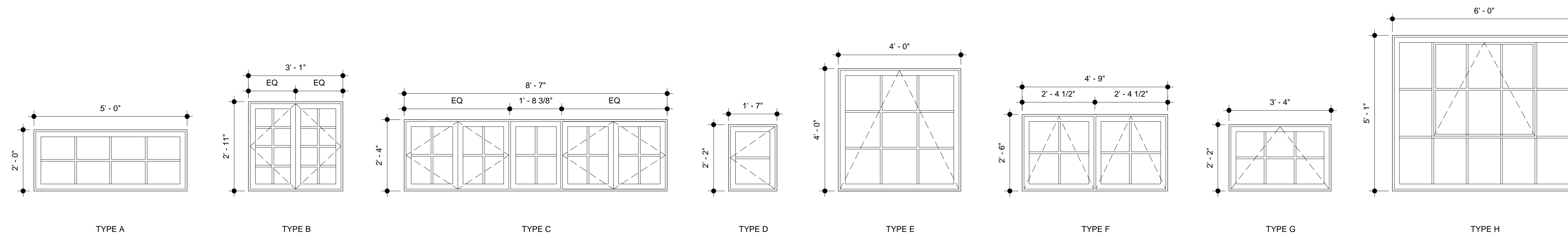
Date : 04/28/2025

Drawing Title :

WINDOW  
SCHEDULE

Sheet Number :

A-11.01



**FALLING COLORS**

FOR CONSTRUCTION

206 McKenzie St. Santa Fe, NM 87501

Project Number : 2109

Scale : 1/2" = 1'-0"

Date : 04/28/2025

Drawing Title :

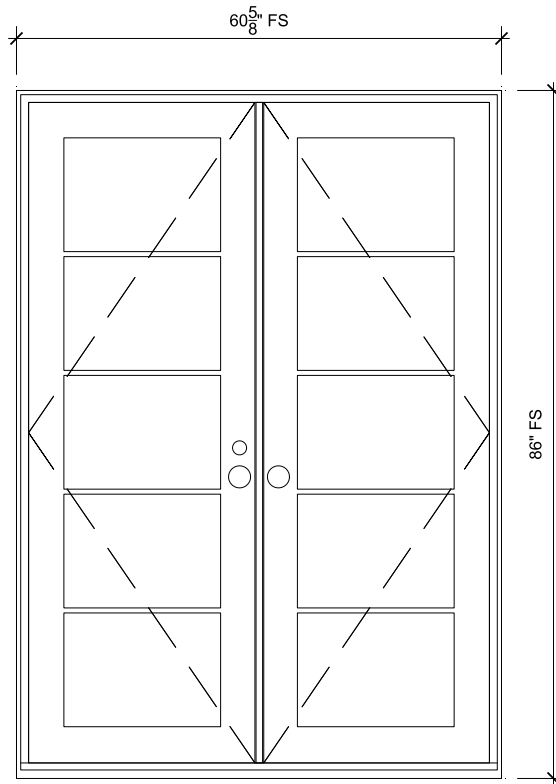
**WINDOW TYPES**

Sheet Number :

**A-11.02**



206 McKenzie Street  
Parking / West Elevation



**104A - (E) GREENHOUSE**  
 SCALE: 1/2" = 1'-0"

**SPECIFICATIONS**

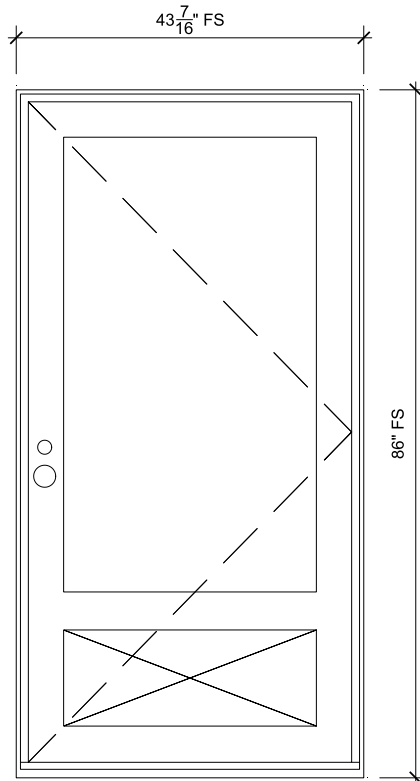
- Line #: 1
- Qty: 1
- Mark Unit: 104A - (E) GREENHOUSE
- Product Line: Ultimate
- Unit Description: Inswing French Door G2
- Frame Size: 60 5/8" X 86"
- Exterior Finish: Stone White
- Interior Finish: Painted Interior Finish - White
- Unit Type: Inswing French Door G2, XX, Left Hand
- Call Number: CN5070
- Glass Information: Tempered Low E2, Black
- Divider Type: 5/8" Rectangular SDL W/ Spacer - Black
- Hardware Type: Multi-Point Lock, Adjustable Hinges
- Screen Type: No Screen
- Hardware Color: Rocky Mountain Silicon Bronze Dark, Oil Rubbed Bronze
- Screen Surround Color: None
- Jamb Depth: 4 9/16"



PROJ/JOB: True North Builders / 206 McKenzie St - ULTIMATE Prelim v1  
 DIST/DEALER: REULE SUN CORPORATION  
 DRAWN: DAVE WHELCHER  
 QUOTE#: A1G1X1X PK VER: 0004.14.00

CREATED: 02/25/2025 REVISION:

SHEET  
 1  
 OF 67



## 104B - (F) KITCHEN

SCALE: 1/2" = 1'-0"

## SPECIFICATIONS

Line #: 2

Qty: 1

Mark Unit: 104B - (F) KITCHEN

Product Line: Ultimate

Unit Description: Inswing French Door G2

Frame Size: 43 7/16" X 86"

Exterior Finish: Stone White

Interior Finish: Painted Interior Finish - White

Unit Type: Inswing French Door G2, X, Right Hand

Call Number: CN3670

Glass Information: Tempered Low E2, Black

Divider Type: 5/8" Rectangular SDL W/ Spacer - Black

Hardware Type: Multi-Point Lock, Adjustable Hinges

Screen Type: No Screen

Hardware Color: Rocky Mountain Silicon Bronze Dark, Oil Rubbed Bronze

Screen Surround Color: None

Jamb Depth: 4 9/16"

Comments:

MarvinInswingFrenchG2 (A1) - MAKE BOTTOM FLAT PANEL PER DRAWING IN NOTES & ATTACHMENTS

DividedLite (A1) - NEED THIS DOOR AS OUTSWING?

Hardware (A1) - NOT YET PRICED FOR HARDWARE PREP, RMH. HARDWARE BY OTHERS



PROJ/JOB: True North Builders / 206 McKenzie St - ULTIMATE Prelim v1

DIST/DEALER: REULE SUN CORPORATION

DRAWN: DAVE WHELCHER

QUOTE#: A1G1X1X

PK VER: 0004.14.00

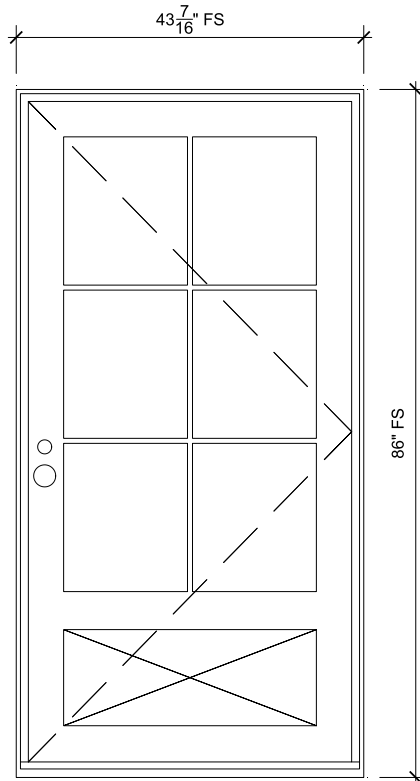
CREATED: 02/25/2025

REVISION:

SHEET

2

OF 67



## 106A - (F) KITCHEN

SCALE: 1/2" = 1'-0"

## SPECIFICATIONS

Line #: 3

Qty: 1

Mark Unit: 106A - (F) KITCHEN

Product Line: Ultimate

Unit Description: Inswing French Door G2

Frame Size: 43 7/16" X 86"

Exterior Finish: Stone White

Interior Finish: Painted Interior Finish - White

Unit Type: Inswing French Door G2, X, Right Hand

Call Number: CN3670

Glass Information: Tempered Low E2, Black

Divider Type: 5/8" Rectangular SDL W/ Spacer - Black

Hardware Type: Multi-Point Lock, Adjustable Hinges

Screen Type: No Screen

Hardware Color: Rocky Mountain Silicon Bronze Dark, Oil Rubbed Bronze

Screen Surround Color: None

Jamb Depth: 4 9/16"

Comments:

MarvinInswingFrenchG2 (A1) - MAKE BOTTOM FLAT PANEL PER DRAWING IN NOTES & ATTACHMENTS

Hardware (A1) - NOT YET PRICED FOR HARDWARE PREP, RMH. HARDWARE BY OTHERS



PROJ/JOB: True North Builders / 206 McKenzie St - ULTIMATE Prelim v1

DIST/DEALER: REULE SUN CORPORATION

DRAWN: DAVE WHELCHER

QUOTE#: A1G1X1X

PK VER: 0004.14.00

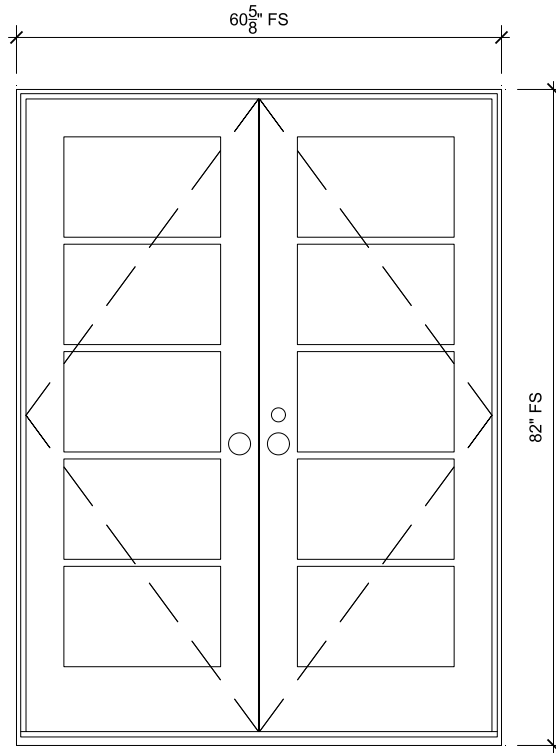
CREATED: 02/25/2025

REVISION:

SHEET

3

OF 67



## 108B - (F) FOYER

SCALE: 1/2" = 1'-0"

### **SPECIFICATIONS**

Line #: 4

Qty: 1

Mark Unit: 108B - (F) FOYER

Product Line: Ultimate

Unit Description: Outswing French Door G2

Frame Size: 60 5/8" X 82"

Exterior Finish: Stone White

Interior Finish: Painted Interior Finish - White

Unit Type: Outswing French Door G2, XX, Left Hand

Call Number: CN5068

Glass Information: Tempered Low E2, Capillary Tube, Stainless

Divider Type: 7/8" Rectangular SDL W/ Spacer - Stainless

Hardware Type: Multi-Point Lock, Adjustable Hinges

Screen Type: None

Hardware Color: Rocky Mountain Silicon Bronze Dark, Matte Black

Screen Surround Color: None

Jamb Depth: 4 9/16"



PROJ/JOB: True North Builders / 206 McKenzie St - ULTIMATE Prelim v1

DIST/DEALER: REULE SUN CORPORATION

DRAWN: DAVE WHELCHER

QUOTE#: A1G1X1X

PK VER: 0004.14.00

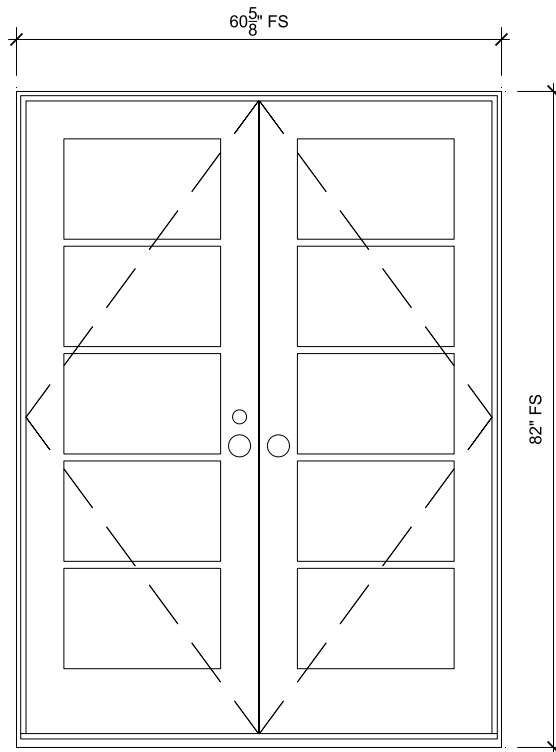
CREATED: 02/25/2025

REVISION:

SHEET

4

OF 67



## 108C - FOYER

SCALE: 1/2" = 1'-0"

## SPECIFICATIONS

Line #: 5

Qty: 1

Mark Unit: 108C - FOYER

Product Line: Ultimate

Unit Description: Outswing French Door G2

Frame Size: 60 5/8" X 82"

Exterior Finish: Stone White

Interior Finish: Painted Interior Finish - White

Unit Type: Outswing French Door G2, XX, Right Hand

Call Number: CN5068

Glass Information: Tempered Low E2, Capillary Tube, Stainless

Divider Type: 7/8" Rectangular SDL W/ Spacer - Stainless

Hardware Type: Multi-Point Lock, Adjustable Hinges

Screen Type: None

Hardware Color: Rocky Mountain Silicon Bronze Dark, Matte Black

Screen Surround Color: None

Jamb Depth: 4 9/16"



PROJ/JOB: True North Builders / 206 McKenzie St - ULTIMATE Prelim v1

DIST/DEALER: REULE SUN CORPORATION

DRAWN: DAVE WHELCHER

QUOTE#: A1G1X1X

PK VER: 0004.14.00

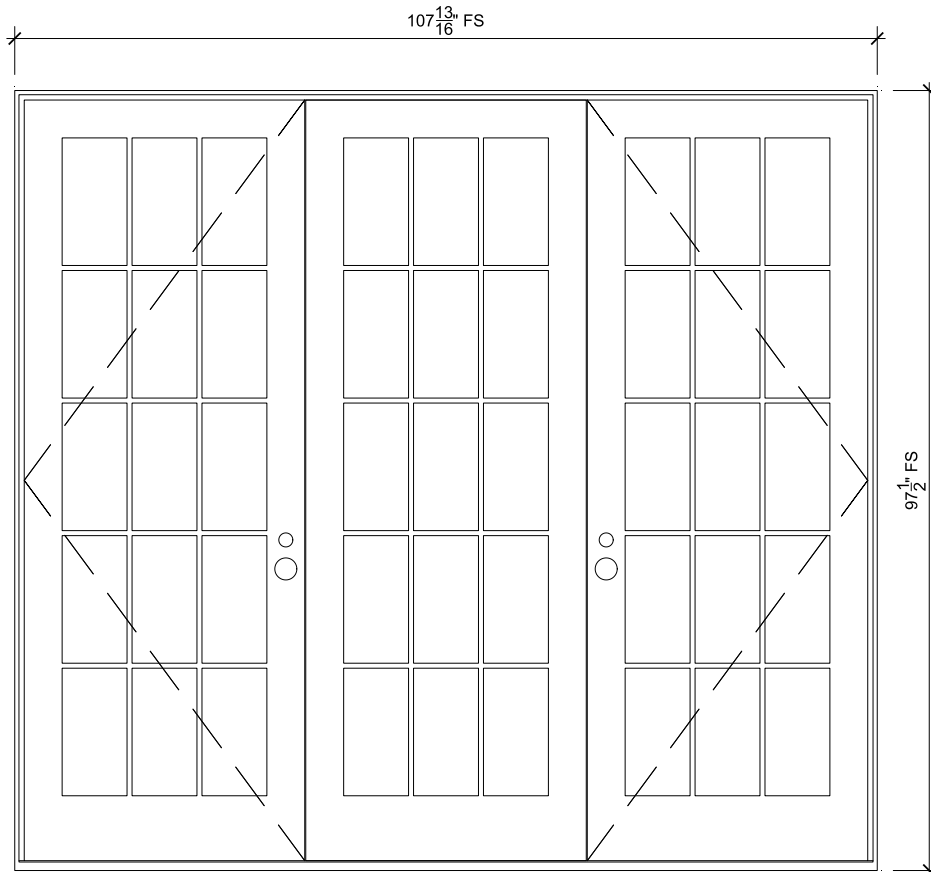
CREATED: 02/25/2025

REVISION:

SHEET

5

OF 67



## 110B - CONFERENCE

SCALE: 1/2" = 1'-0"

### **SPECIFICATIONS**

Line #: 6

Qty: 1

Mark Unit: 110B - CONFERENCE

Product Line: Ultimate

Unit Description: Outswing French Door G2

Frame Size: 107 13/16" X 97 1/2"

Exterior Finish: Stone White

Interior Finish: Painted Interior Finish - White

Unit Type: Outswing French Door G2, XOX, Right Hand/Left Hand

Call Number: CN9080

Glass Information: Tempered Low E2, Capillary Tube, Black

Divider Type: 5/8" Rectangular SDL W/ Spacer - Black

Hardware Type: Multi-Point Lock, Adjustable Hinges

Screen Type: None

Hardware Color: Rocky Mountain Silicon Bronze Dark, Oil Rubbed Bronze

Screen Surround Color: None

Jamb Depth: 4 9/16"



PROJ/JOB: True North Builders / 206 McKenzie St - ULTIMATE Prelim v1

DIST/DEALER: REULE SUN CORPORATION

DRAWN: DAVE WHELCHER

QUOTE#: A1G1X1X

PK VER: 0004.14.00

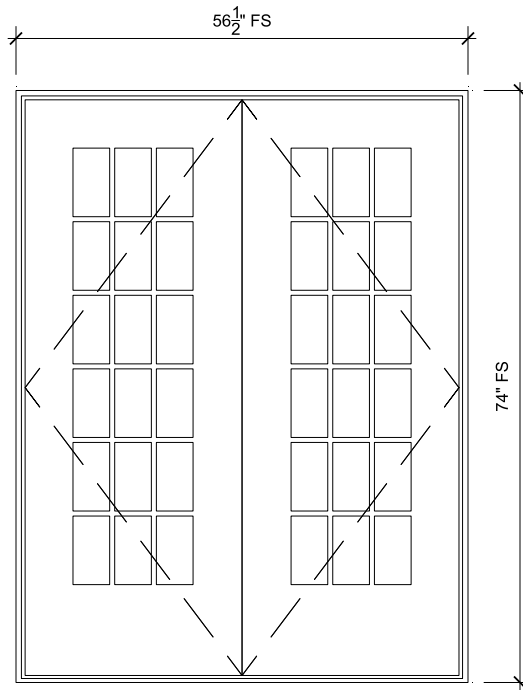
CREATED: 02/25/2025

REVISION:

SHEET

6

OF 67



**119 - OFFICE**  
SCALE: 1/2" = 1'-0"

## SPECIFICATIONS

Line #: 7

Qty: 1

Mark Unit: 119 - OFFICE

Product Line: Ultimate

Unit Description: Commercial Door

Frame Size: 56 1/2" X 74"

Exterior Finish: Stone White

Interior Finish: Painted Interior Finish - White

Unit Type: Commercial Door, XX, Right Hand Reverse Active

Call Number: None

Glass Information: Tempered Low E2, Capillary Tube, Stainless

Divider Type: 5/8" Rectangular SDL W/ Spacer - Stainless

Hardware Type: Ball Bearing Hinges

Screen Type: None

Hardware Color: Bronze (US10A)

Screen Surround Color: None

Jamb Depth: 4 9/16"

Comments:

MarvinCD (A1) - MAKE BOTTOM PANEL PER DRAWING IN NOTES & ATTACHMENTS

Hardware (A1) - PREP FOR SPECIFIED HARDWARE NOT ADDED OR INCLUDED IN THIS PRICING.



PROJ/JOB: True North Builders / 206 McKenzie St - ULTIMATE Prelim v1

DIST/DEALER: REULE SUN CORPORATION

DRAWN: DAVE WHELCHER

QUOTE#: A1G1X1X

PK VER: 0004.14.00

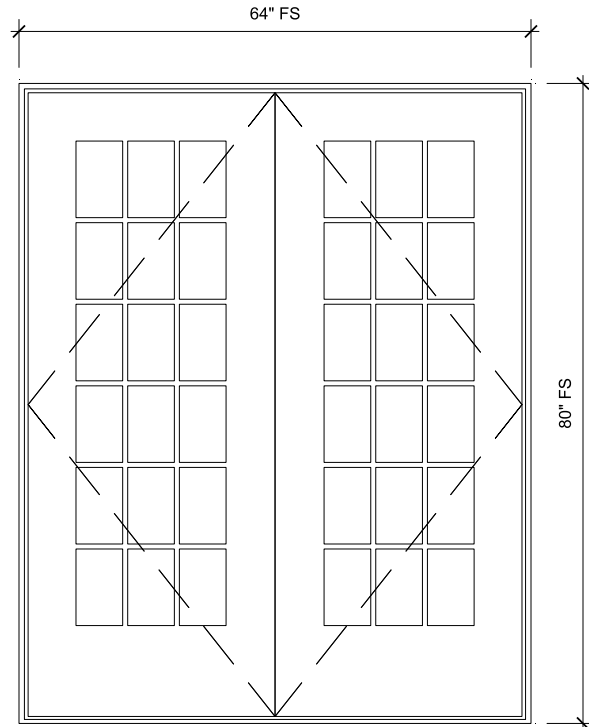
CREATED: 02/25/2025

REVISION:

SHEET

7

OF 67



**123 - HALL (ACCESS CONTROL)**  
SCALE: 1/2" = 1'-0"

## SPECIFICATIONS

Line #: 8

Qty: 1

Mark Unit: 123 - HALL (Access Control)

Product Line: Ultimate

Unit Description: Commercial Door

Frame Size: 64" X 80"

Exterior Finish: Stone White

Interior Finish: Painted Interior Finish - White

Unit Type: Commercial Door, XX, Right Hand Reverse Active

Call Number: None

Glass Information: Tempered Low E2, Capillary Tube, Stainless

Divider Type: 5/8" Rectangular SDL W/ Spacer - Stainless

Hardware Type: Ball Bearing Hinges

Screen Type: None

Hardware Color: Bronze (US10A)

Screen Surround Color: None

Jamb Depth: 4 9/16"

Comments:

MarvinCD (A1) - MAKE BOTTOM PANEL PER DRAWING IN NOTES & ATTACHMENTS

Hardware (A1) - PREP FOR SPECIFIED HARDWARE NOT ADDED OR INCLUDED IN THIS PRICING.



PROJ/JOB: True North Builders / 206 McKenzie St - ULTIMATE Prelim v1

DIST/DEALER: REULE SUN CORPORATION

DRAWN: DAVE WHELCHER

QUOTE#: A1G1X1X

PK VER: 0004.14.00

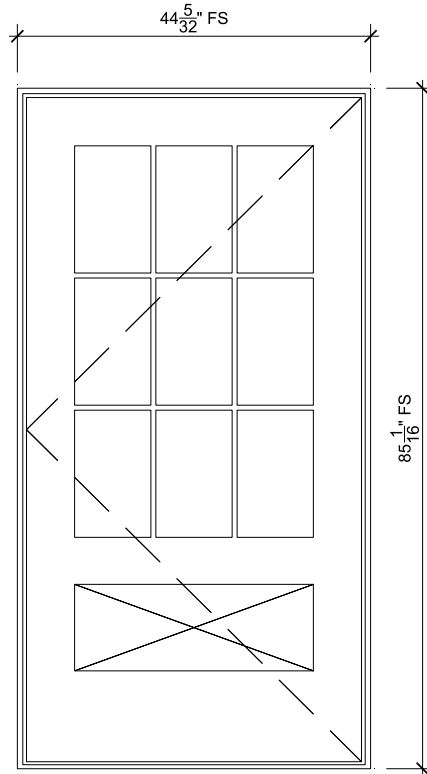
CREATED: 02/25/2025

REVISION:

SHEET

8

OF 67



**124-OFFICE (SIZE ADJ!!!)**

SCALE: 1/2" = 1'-0"

**SPECIFICATIONS**

Line #: 9  
 Qty: 1  
 Mark Unit: 124-OFFICE (Size adj!!!)  
 Product Line: Ultimate  
 Unit Description: Commercial Door  
 Frame Size: 44 5/32" X 85 1/16"  
 Exterior Finish: Stone White  
 Interior Finish: Painted Interior Finish - White  
 Unit Type: Commercial Door, X, Left Hand Reverse  
 Call Number: CN3670  
 Glass Information: Tempered Low E2, Capillary Tube, Stainless  
 Divider Type: 5/8" Rectangular SDL W/ Spacer - Stainless  
 Hardware Type: Ball Bearing Hinges  
 Screen Type: None  
 Hardware Color: Bronze (US10A)  
 Screen Surround Color: None  
 Jamb Depth: 4 9/16"  
 Comments:  
 MarvinCD (A1) - MAKE BOTTOM PANEL PER DRAWING IN NOTES & ATTACHMENTS  
 Hardware (A1) - PREP FOR SPECIFIED HARDWARE NOT ADDED OR INCLUDED IN THIS PRICING.



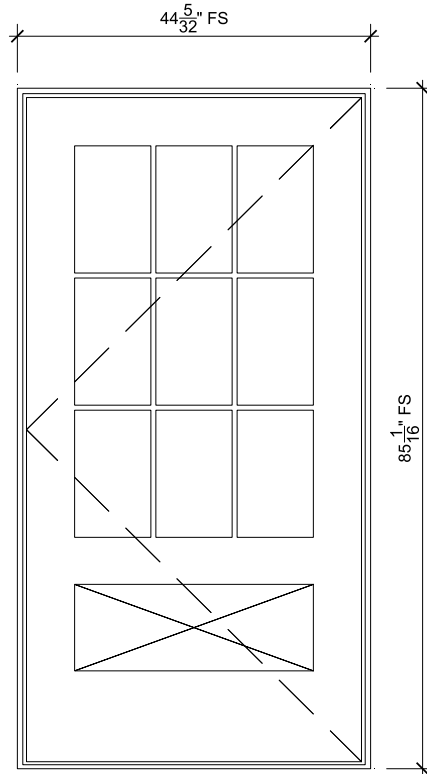
PROJ/JOB: True North Builders / 206 McKenzie St - ULTIMATE Prelim v1  
 DIST/DEALER: REULE SUN CORPORATION  
 DRAWN: DAVE WHELCHER  
 QUOTE#: A1G1X1X PK VER: 0004.14.00

CREATED: 02/25/2025 REVISION:

SHEET

9

OF 67



## 130B-BREAKOUT(ACCESS CNTRL)

SCALE: 1/2" = 1'-0"

### SPECIFICATIONS

Line #: 10

Qty: 1

Mark Unit: 130B-BREAKOUT(Access Cntrl)

Product Line: Ultimate

Unit Description: Commercial Door

Frame Size:  $44 \frac{5}{32}$ " X  $85 \frac{1}{16}$ "

Exterior Finish: Stone White

Interior Finish: Painted Interior Finish - White

Unit Type: Commercial Door, X, Left Hand Reverse

Call Number: CN3670

Glass Information: Tempered Low E2, Capillary Tube, Stainless

Divider Type: 5/8" Rectangular SDL W/ Spacer - Stainless

Hardware Type: Ball Bearing Hinges

Screen Type: None

Hardware Color: Bronze (US10A)

Screen Surround Color: None

Jamb Depth:  $4 \frac{9}{16}$ "

Comments:

MarvinCD (A1) - MAKE BOTTOM PANEL PER DRAWING IN NOTES & ATTACHMENTS

Hardware (A1) - PREP FOR SPECIFIED HARDWARE NOT ADDED OR INCLUDED IN THIS PRICING.



PROJ/JOB: True North Builders / 206 McKenzie St - ULTIMATE Prelim v1

DIST/DEALER: REULE SUN CORPORATION

DRAWN: DAVE WHELCHER

QUOTE#: A1G1X1X

PK VER: 0004.14.00

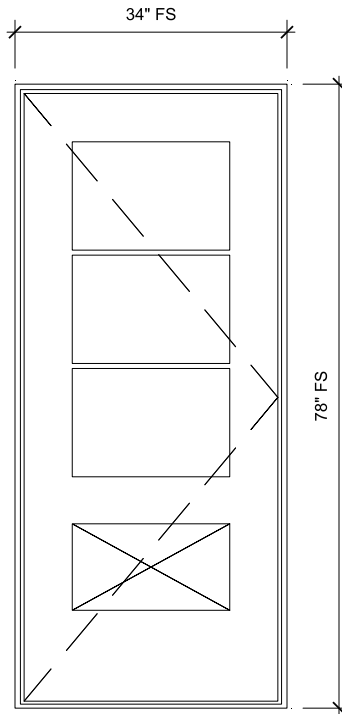
CREATED: 02/25/2025

REVISION:

SHEET

10

OF 67



**\* 131 - ENTRY (ACCESS CONTROL)**

SCALE: 1/2" = 1'-0"

**SPECIFICATIONS**

Line #: 11  
 Qty: 1  
 Mark Unit: 131 - ENTRY (Access Control)  
 Product Line: Ultimate  
 Unit Description: Commercial Door  
 Frame Size: 34" X 78"  
 Exterior Finish: Stone White  
 Interior Finish: Painted Interior Finish - White  
 Unit Type: Commercial Door, X, Right Hand Reverse  
 Call Number: None  
 Glass Information: Tempered Low E2, Capillary Tube, Stainless  
 Divider Type: 5/8" Rectangular SDL W/ Spacer - Stainless  
 Hardware Type: Ball Bearing Hinges  
 Screen Type: None  
 Hardware Color: Bronze (US10A)  
 Screen Surround Color: None  
 Jamb Depth: 4 9/16"  
 Comments:  
 MarvinCD (A1) - MAKE BOTTOM PANEL PER DRAWING IN NOTES & ATTACHMENTS  
 Hardware (A1) - PREP FOR SPECIFIED HARDWARE NOT ADDED OR INCLUDED IN THIS PRICING.

\* The quote for this unit has an error on it. Please verify availability prior to order.



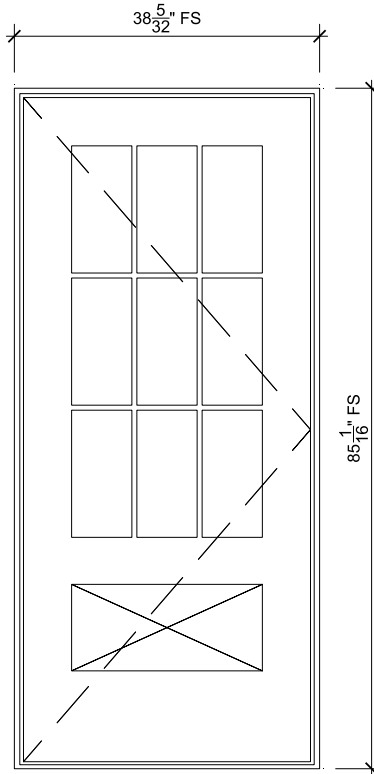
PROJ/JOB: True North Builders / 206 McKenzie St - ULTIMATE Prelim v1  
 DIST/DEALER: REULE SUN CORPORATION  
 DRAWN: DAVE WHELCHER  
 QUOTE#: A1G1X1X PK VER: 0004.14.00

CREATED: 02/25/2025 REVISION:

SHEET

11

OF 67



**132A - CAFE (SIZE ADJ!!!)**

SCALE: 1/2" = 1'-0"

**SPECIFICATIONS**

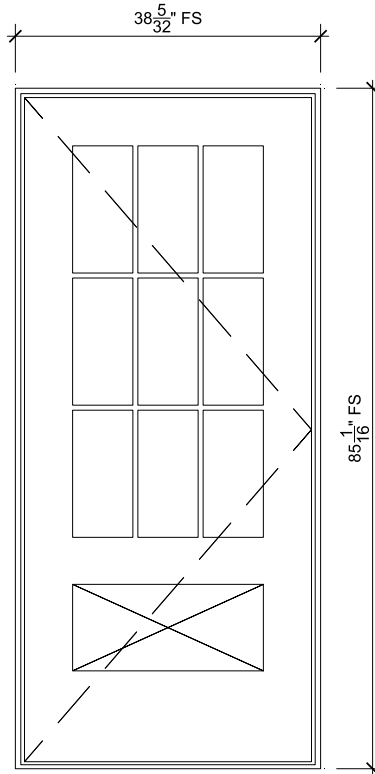
Line #: 12  
 Qty: 1  
 Mark Unit: 132A - CAFE (Size Adj!!!)  
 Product Line: Ultimate  
 Unit Description: Commercial Door  
 Frame Size: 38 5/32" X 85 1/16"  
 Exterior Finish: Stone White  
 Interior Finish: Painted Interior Finish - White  
 Unit Type: Commercial Door, X, Right Hand Reverse  
 Call Number: CN3070  
 Glass Information: Tempered Low E2, Capillary Tube, Stainless  
 Divider Type: 5/8" Rectangular SDL W/ Spacer - Stainless  
 Hardware Type: Ball Bearing Hinges  
 Screen Type: None  
 Hardware Color: Bronze (US10A)  
 Screen Surround Color: None  
 Jamb Depth: 4 9/16"  
 Comments:  
 MarvinCD (A1) - MAKE BOTTOM PANEL PER DRAWING IN NOTES & ATTACHMENTS  
 Hardware (A1) - PREP FOR SPECIFIED HARDWARE NOT ADDED OR INCLUDED IN THIS PRICING.



PROJ/JOB: True North Builders / 206 McKenzie St - ULTIMATE Prelim v1  
 DIST/DEALER: REULE SUN CORPORATION  
 DRAWN: DAVE WHELCHER  
 QUOTE#: A1G1X1X PK VER: 0004.14.00

CREATED: 02/25/2025 REVISION:

SHEET  
 12  
 OF 67



**132B - CAFE (SIZE ADJ!!!)**

SCALE: 1/2" = 1'-0"

**SPECIFICATIONS**

- Line #: 13
- Qty: 1
- Mark Unit: 132B - CAFE (Size Adj!!!)
- Product Line: Ultimate
- Unit Description: Commercial Door
- Frame Size: 38 5/32" X 85 1/16"
- Exterior Finish: Stone White
- Interior Finish: Painted Interior Finish - White
- Unit Type: Commercial Door, X, Right Hand Reverse
- Call Number: CN3070
- Glass Information: Tempered Low E2, Capillary Tube, Stainless
- Divider Type: 5/8" Rectangular SDL W/ Spacer - Stainless
- Hardware Type: Ball Bearing Hinges
- Screen Type: None
- Hardware Color: Bronze (US10A)
- Screen Surround Color: None
- Jamb Depth: 4 9/16"
- Comments:
- MarvinCD (A1) - MAKE BOTTOM PANEL PER DRAWING IN NOTES & ATTACHMENTS
- Hardware (A1) - PREP FOR SPECIFIED HARDWARE NOT ADDED OR INCLUDED IN THIS PRICING.



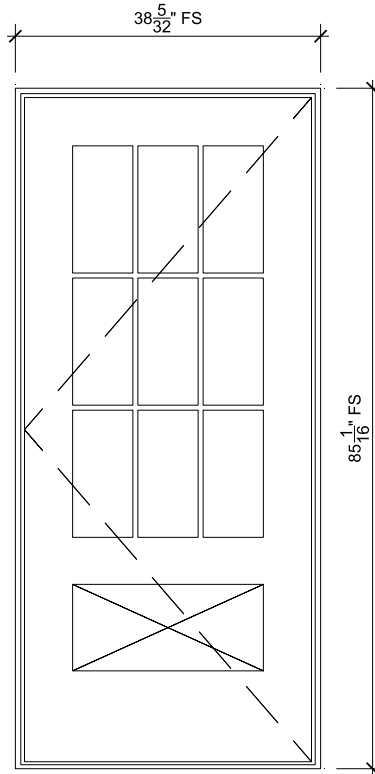
PROJ/JOB: True North Builders / 206 McKenzie St - ULTIMATE Prelim v1  
 DIST/DEALER: REULE SUN CORPORATION  
 DRAWN: DAVE WHELCHER  
 QUOTE#: A1G1X1X PK VER: 0004.14.00

CREATED: 02/25/2025 REVISION:

SHEET

13

OF 67



## 135A - HALL (ACCESS CONTROL)

SCALE: 1/2" = 1'-0"

### SPECIFICATIONS

Line #: 14

Qty: 1

Mark Unit: 135A - HALL (Access Control)

Product Line: Ultimate

Unit Description: Commercial Door

Frame Size: 38 5/32" X 85 1/16"

Exterior Finish: Stone White

Interior Finish: Painted Interior Finish - White

Unit Type: Commercial Door, X, Left Hand Reverse

Call Number: CN3070

Glass Information: Tempered Low E2, Capillary Tube, Stainless

Divider Type: 5/8" Rectangular SDL W/ Spacer - Stainless

Hardware Type: Ball Bearing Hinges

Screen Type: None

Hardware Color: Bronze (US10A)

Screen Surround Color: None

Jamb Depth: 4 9/16"

Comments:

MarvinCD (A1) - MAKE BOTTOM PANEL PER DRAWING IN NOTES & ATTACHMENTS

Hardware (A1) - PREP FOR SPECIFIED HARDWARE NOT ADDED OR INCLUDED IN THIS PRICING.



PROJ/JOB: True North Builders / 206 McKenzie St - ULTIMATE Prelim v1

DIST/DEALER: REULE SUN CORPORATION

DRAWN: DAVE WHELCHER

QUOTE#: A1G1X1X

PK VER: 0004.14.00

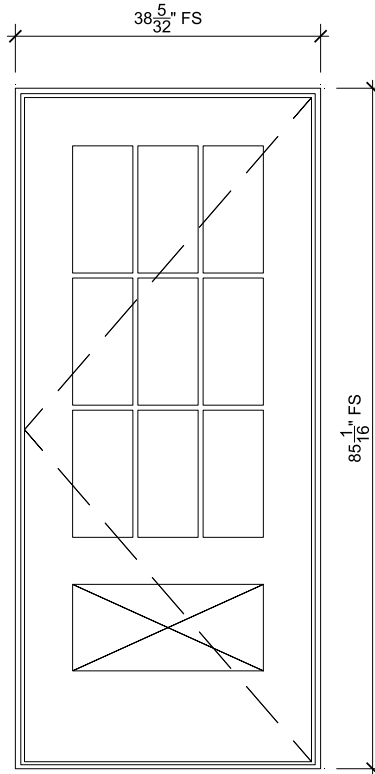
CREATED: 02/25/2025

REVISION:

SHEET

14

OF 67



## 135B - HALL (ACCESS CONTROL)

SCALE: 1/2" = 1'-0"

### SPECIFICATIONS

Line #: 15

Qty: 1

Mark Unit: 135B - HALL (Access Control)

Product Line: Ultimate

Unit Description: Commercial Door

Frame Size: 38 5/32" X 85 1/16"

Exterior Finish: Stone White

Interior Finish: Painted Interior Finish - White

Unit Type: Commercial Door, X, Left Hand Reverse

Call Number: CN3070

Glass Information: Tempered Low E2, Capillary Tube, Stainless

Divider Type: 5/8" Rectangular SDL W/ Spacer - Stainless

Hardware Type: Ball Bearing Hinges

Screen Type: None

Hardware Color: Bronze (US10A)

Screen Surround Color: None

Jamb Depth: 4 9/16"

Comments:

MarvinCD (A1) - MAKE BOTTOM PANEL PER DRAWING IN NOTES & ATTACHMENTS

Hardware (A1) - PREP FOR SPECIFIED HARDWARE NOT ADDED OR INCLUDED IN THIS PRICING.



PROJ/JOB: True North Builders / 206 McKenzie St - ULTIMATE Prelim v1

DIST/DEALER: REULE SUN CORPORATION

DRAWN: DAVE WHELCHER

QUOTE#: A1G1X1X

PK VER: 0004.14.00

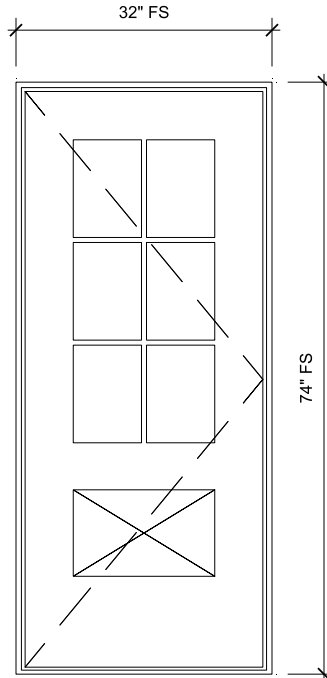
CREATED: 02/25/2025

REVISION:

SHEET

15

OF 67



**\* 211 - CONF (ACCESS CONTROL?)**

SCALE: 1/2" = 1'-0"

**SPECIFICATIONS**

Line #: 16  
 Qty: 1  
 Mark Unit: 211 - CONF (Access Control?)  
 Product Line: Ultimate  
 Unit Description: Commercial Door  
 Frame Size: 32" X 74"  
 Exterior Finish: Stone White  
 Interior Finish: Painted Interior Finish - White  
 Unit Type: Commercial Door, X, Right Hand Reverse  
 Call Number: None  
 Glass Information: Tempered Low E2, Capillary Tube, Stainless  
 Divider Type: 5/8" Rectangular SDL W/ Spacer - Stainless  
 Hardware Type: Ball Bearing Hinges  
 Screen Type: None  
 Hardware Color: Bronze (US10A)  
 Screen Surround Color: None  
 Jamb Depth: 4 9/16"  
 Comments:  
 MarvinCD (A1) - MAKE BOTTOM PANEL PER DRAWING IN NOTES & ATTACHMENTS  
 Hardware (A1) - PREP FOR SPECIFIED HARDWARE NOT ADDED OR INCLUDED IN THIS PRICING.

\* The quote for this unit has an error on it. Please verify availability prior to order.



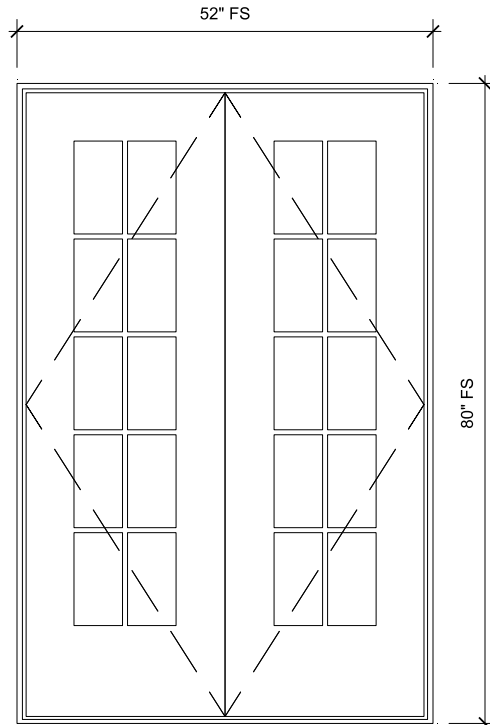
PROJ/JOB: True North Builders / 206 McKenzie St - ULTIMATE Prelim v1  
 DIST/DEALER: REULE SUN CORPORATION  
 DRAWN: DAVE WHELCHER  
 QUOTE#: A1G1X1X PK VER: 0004.14.00

CREATED: 02/25/2025 REVISION:

SHEET

16

OF 67



**226C - OFFICE (SIZE ADJ!!!)**  
 SCALE: 1/2" = 1'-0"

## SPECIFICATIONS

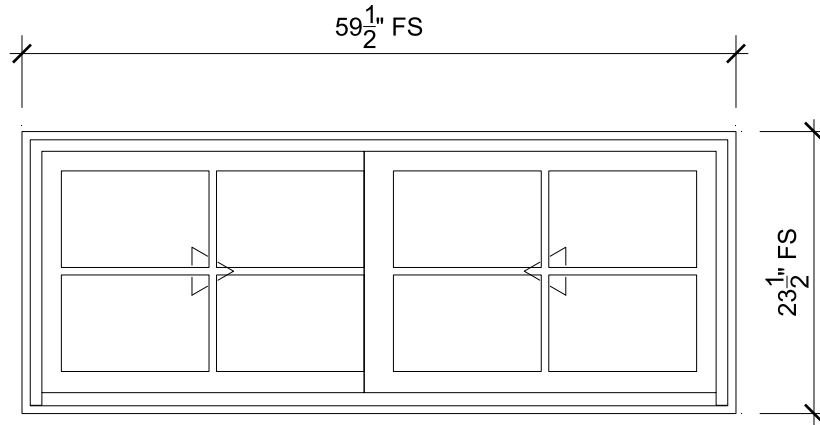
Line #: 17  
 Qty: 1  
 Mark Unit: 226C - OFFICE (Size Adj!!!)  
 Product Line: Ultimate  
 Unit Description: Commercial Door  
 Frame Size: 52" X 80"  
 Exterior Finish: Stone White  
 Interior Finish: Painted Interior Finish - White  
 Unit Type: Commercial Door, XX, Right Hand Reverse Active  
 Call Number: None  
 Glass Information: Tempered Low E2, Capillary Tube, Stainless  
 Divider Type: 5/8" Rectangular SDL W/ Spacer - Stainless  
 Hardware Type: Ball Bearing Hinges  
 Screen Type: None  
 Hardware Color: Bronze (US10A)  
 Screen Surround Color: None  
 Jamb Depth: 4 9/16"  
 Comments:  
 MarvinCD (A1) - MAKE BOTTOM PANEL PER DRAWING IN NOTES & ATTACHMENTS  
 Hardware (A1) - PREP FOR SPECIFIED HARDWARE NOT ADDED OR INCLUDED IN THIS PRICING.



PROJ/JOB: True North Builders / 206 McKenzie St - ULTIMATE Prelim v1  
 DIST/DEALER: REULE SUN CORPORATION  
 DRAWN: DAVE WHELCHER  
 QUOTE#: A1G1X1X      PK VER: 0004.14.00

CREATED: 02/25/2025      REVISION:

SHEET  
 17  
 OF 67



## A - 109-GARAGE (TYPE A)

SCALE: 3/4" = 1'-0"

### SPECIFICATIONS

Line #: 18

Qty: 1

Mark Unit: A - 109-GARAGE (TYPE A)

Product Line: Ultimate

Unit Description: Glider

Frame Size: 59 1/2" X 23 1/2"

Exterior Finish: Stone White

Interior Finish: Painted Interior Finish - White

Unit Type: Glider, Left Hand

Call Number: CN5020

Glass Information: IG, IG - 3/4", Low E2, Capillary Tube, Stainless

Divider Type: 5/8" Rectangular SDL W/ Spacer - Stainless

Hardware Type: Folding Handle, No Sash Travel Limiter

Screen Type: Aluminum Dual Full Screen

Hardware Color: White

Screen Surround Color: Stone White

Jamb Depth: 4 9/16"



PROJ/JOB: True North Builders / 206 McKenzie St - ULTIMATE Prelim v1

DIST/DEALER: REULE SUN CORPORATION

DRAWN: DAVE WHELCHER

QUOTE#: A1G1X1X

PK VER: 0004.14.00

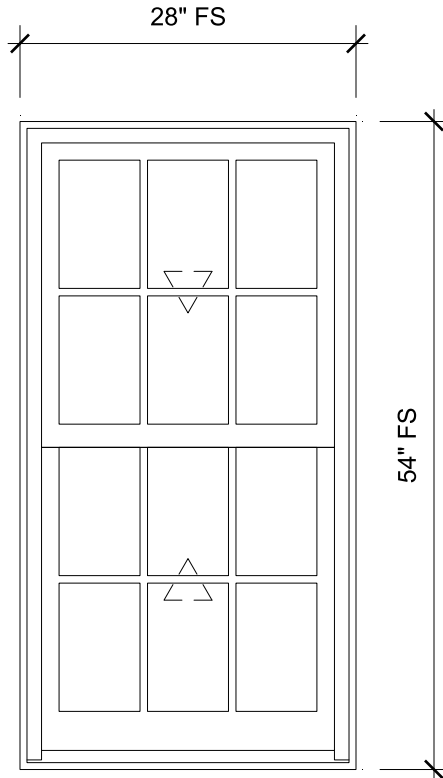
CREATED: 02/25/2025

REVISION:

SHEET

18

OF 67



**AA - 122-OFFICE (TYPE I)**  
 SCALE: 3/4" = 1'-0"

## SPECIFICATIONS

Line #: 19  
 Qty: 1  
 Mark Unit: AA - 122-OFFICE (TYPE I)  
 Product Line: Ultimate  
 Unit Description: Double Hung G2  
 Frame Size: 28" X 54"  
 Exterior Finish: Stone White  
 Interior Finish: Painted Interior Finish - White  
 Unit Type: Double Hung G2  
 Call Number: None  
 Glass Information: IG, Low E2, Capillary Tube, Black  
 Divider Type: 5/8" Rectangular SDL W/ Spacer - Black  
 Hardware Type: Sash Lock, Sash Lift, No Finger Pull, Top Sash Limiter : None, Bottom Sash Limiter : None  
 Screen Type: Aluminum Screen  
 Hardware Color: Oil Rubbed Bronze  
 Screen Surround Color: Stone White  
 Jamb Depth: 4 9/16"



PROJ/JOB: True North Builders / 206 McKenzie St - ULTIMATE Prelim v1  
 DIST/DEALER: REULE SUN CORPORATION  
 DRAWN: DAVE WHELCHER  
 QUOTE#: A1G1X1X

PK VER: 0004.14.00

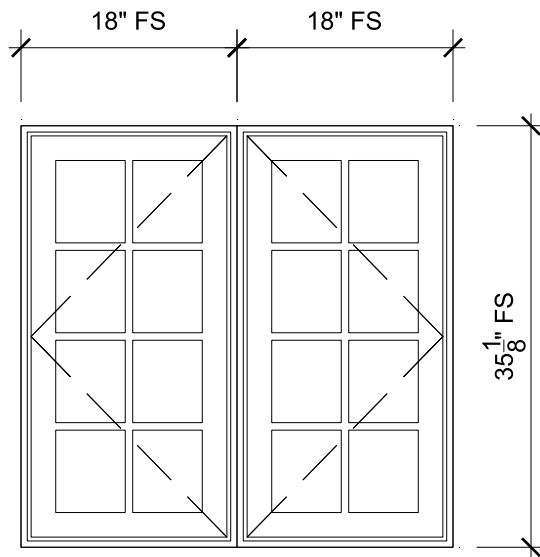
CREATED: 02/25/2025

REVISION:

SHEET

19

OF 67



## B - 105-PANTRY (TYPE B)

SCALE: 3/4" = 1'-0"

### SPECIFICATIONS

Line #: 20

Qty: 1

Mark Unit: B - 105-PANTRY (TYPE B)

Product Line: Ultimate

Unit Description: Marvin Assembly

Frame Size: 36" X 35 1/8"

Exterior Finish: Stone White

Interior Finish: Painted Interior Finish - White

Unit Type: [A1] Casement, Left Hand,  
[A2] Casement, Right Hand

Call Number: CN1836

Glass Information: IG - 3/4", Low E2, Capillary Tube, Black

Divider Type: 5/8" Rectangular SDL W/ Spacer - Black

Hardware Type: Folding Handle, No Sash Travel Limiter

Screen Type: Interior Wood Screen

Hardware Color: Oil Rubbed Bronze

Screen Surround Color: None

Jamb Depth: 4 9/16"



PROJ/JOB: True North Builders / 206 McKenzie St - ULTIMATE Prelim v1

DIST/DEALER: REULE SUN CORPORATION

DRAWN: DAVE WHELCHER

QUOTE#: A1G1X1X

PK VER: 0004.14.00

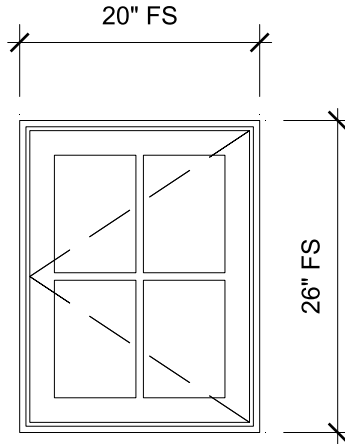
CREATED: 02/25/2025

REVISION:

SHEET

20

OF 67



## BB1/2/3 - 122 OFFICE(TYPE P)

SCALE: 3/4" = 1'-0"

### SPECIFICATIONS

Line #: 21

Qty: 3

Mark Unit: BB1/2/3 - 122 OFFICE(TYPE P)

Product Line: Ultimate

Unit Description: Casement

Frame Size: 20" X 26"

Exterior Finish: Stone White

Interior Finish: Painted Interior Finish - White

Unit Type: Casement, Left Hand

Call Number: CN20 width

Glass Information: IG - 3/4", Low E2, Capillary Tube, Black

Divider Type: 5/8" Rectangular SDL W/ Spacer - Black

Hardware Type: Folding Handle, No Sash Travel Limiter

Screen Type: Interior Wood Screen

Hardware Color: Oil Rubbed Bronze

Screen Surround Color: None

Jamb Depth: 4 9/16"



PROJ/JOB: True North Builders / 206 McKenzie St - ULTIMATE Prelim v1

DIST/DEALER: REULE SUN CORPORATION

DRAWN: DAVE WHELCHER

QUOTE#: A1G1X1X

PK VER: 0004.14.00

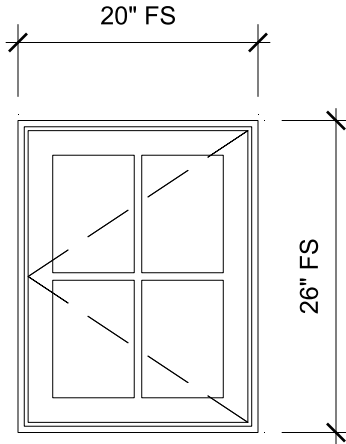
CREATED: 02/25/2025

REVISION:

SHEET

21

OF 67



**C - 102 HALL (TYPE I?)**  
SCALE: 3/4" = 1'-0"

## SPECIFICATIONS

Line #: 22  
Qty: 1  
Mark Unit: C - 102 HALL (TYPE I?)  
Product Line: Ultimate  
Unit Description: Casement  
Frame Size: 20" X 26"  
Exterior Finish: Stone White  
Interior Finish: Painted Interior Finish - White  
Unit Type: Casement, Left Hand  
Call Number: CN20 width  
Glass Information: IG - 3/4", Low E2, Capillary Tube, Black  
Divider Type: 5/8" Rectangular SDL W/ Spacer - Black  
Hardware Type: Folding Handle, No Sash Travel Limiter  
Screen Type: Interior Wood Screen  
Hardware Color: Oil Rubbed Bronze  
Screen Surround Color: None  
Jamb Depth: 4 9/16"



PROJ/JOB: True North Builders / 206 McKenzie St - ULTIMATE Prelim v1  
DIST/DEALER: REULE SUN CORPORATION  
DRAWN: DAVE WHELCHER  
QUOTE#: A1G1X1X

PK VER: 0004.14.00

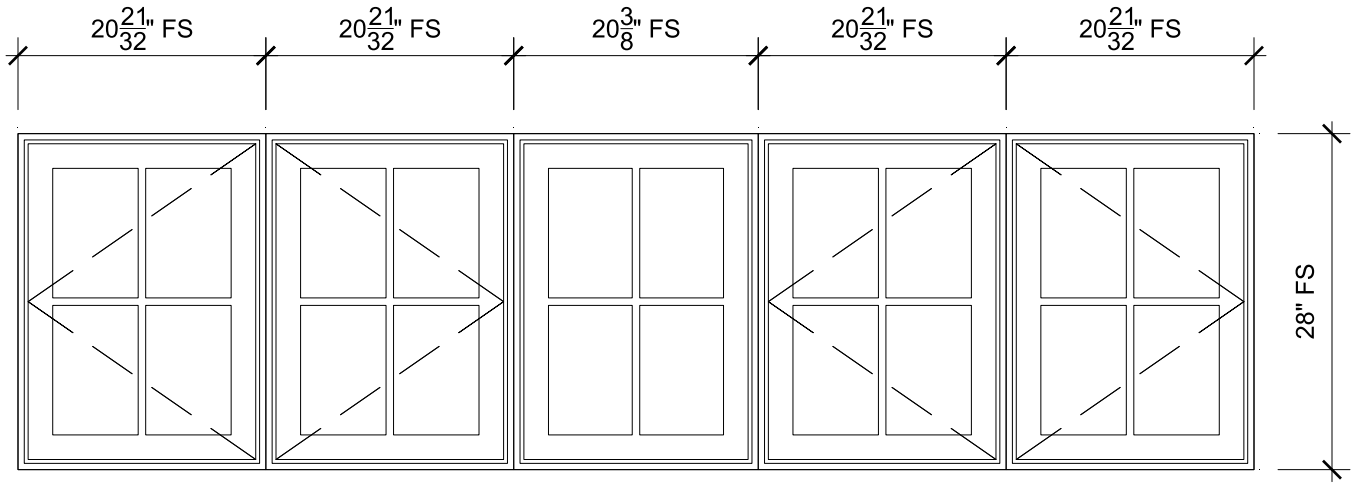
CREATED: 02/25/2025

REVISION:

SHEET

22

OF 67

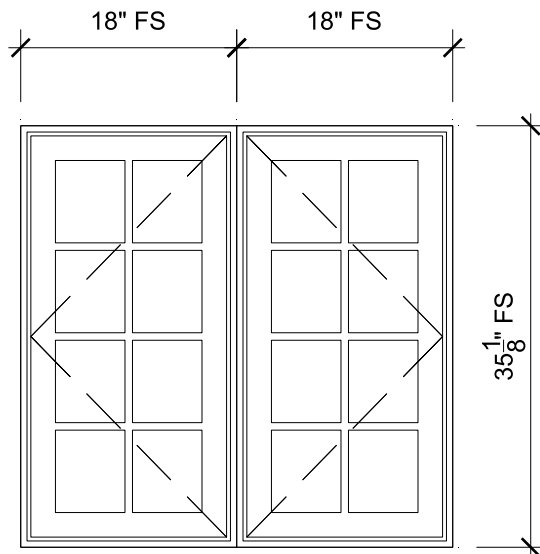


**CC - 127 HALL (TYPE C?)**  
SCALE: 3/4" = 1'-0"

## SPECIFICATIONS

Line #: 23  
 Qty: 1  
 Mark Unit: CC - 127 HALL (TYPE C?)  
 Product Line: Ultimate  
 Unit Description: Marvin Assembly  
 Frame Size: 103" X 28"  
 Exterior Finish: Stone White  
 Interior Finish: Painted Interior Finish - White  
 Unit Type: [A1/A4] Casement, Left Hand,  
           [A2/A5] Casement, Right Hand,  
           [A3] Casement, Stationary  
 Call Number: None  
 Glass Information: IG - 3/4", Low E2, Capillary Tube, Black  
 Divider Type: 5/8" Rectangular SDL W/ Spacer - Black  
 Hardware Type: [A1/A2/A4/A5] Folding Handle, No Sash Travel Limiter,  
                   [A3] None  
 Screen Type: [A1/A2/A4/A5] Interior Wood Screen, [A3] None  
 Hardware Color: [A1/A2/A4/A5] Oil Rubbed Bronze,  
                   [A3] None  
 Screen Surround Color: None  
 Jamb Depth: 4 9/16"





## DD1-10 - 135 HALL (TYPE M)

SCALE: 3/4" = 1'-0"

### SPECIFICATIONS

Line #: 24

Qty: 10

Mark Unit: DD1-10 - 135 HALL (TYPE M)

Product Line: Ultimate

Unit Description: Marvin Assembly

Frame Size: 36" X 35 1/8"

Exterior Finish: Stone White

Interior Finish: Painted Interior Finish - White

Unit Type: [A1] Casement, Left Hand,  
[A2] Casement, Right Hand

Call Number: CN1836

Glass Information: IG - 3/4", Low E2, Capillary Tube, Black

Divider Type: 5/8" Rectangular SDL W/ Spacer - Black

Hardware Type: Folding Handle, No Sash Travel Limiter

Screen Type: Interior Wood Screen

Hardware Color: Oil Rubbed Bronze

Screen Surround Color: None

Jamb Depth: 4 9/16"



PROJ/JOB: True North Builders / 206 McKenzie St - ULTIMATE Prelim v1

DIST/DEALER: REULE SUN CORPORATION

DRAWN: DAVE WHELCHER

QUOTE#: A1G1X1X

PK VER: 0004.14.00

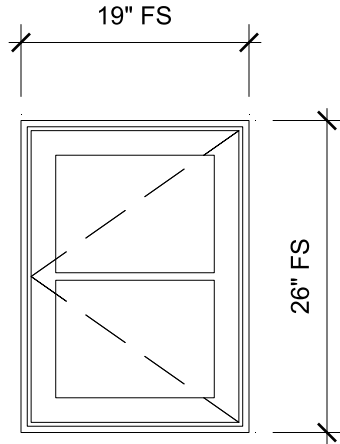
CREATED: 02/25/2025

REVISION:

SHEET

24

OF 67



## E - 101-GALLERY (TYPE D)

SCALE: 3/4" = 1'-0"

### **SPECIFICATIONS**

Line #: 25

Qty: 1

Mark Unit: E - 101-GALLERY (TYPE D)

Product Line: Ultimate

Unit Description: Casement

Frame Size: 19" X 26"

Exterior Finish: Stone White

Interior Finish: Painted Interior Finish - White

Unit Type: Casement, Left Hand

Call Number: None

Glass Information: IG - 3/4", Low E2, Capillary Tube, Black

Divider Type: 5/8" Rectangular SDL W/ Spacer - Black

Hardware Type: Folding Handle, No Sash Travel Limiter

Screen Type: Interior Wood Screen

Hardware Color: Oil Rubbed Bronze

Screen Surround Color: None

Jamb Depth: 4 9/16"



PROJ/JOB: True North Builders / 206 McKenzie St - ULTIMATE Prelim v1

DIST/DEALER: REULE SUN CORPORATION

DRAWN: DAVE WHELCHER

QUOTE#: A1G1X1X

PK VER: 0004.14.00

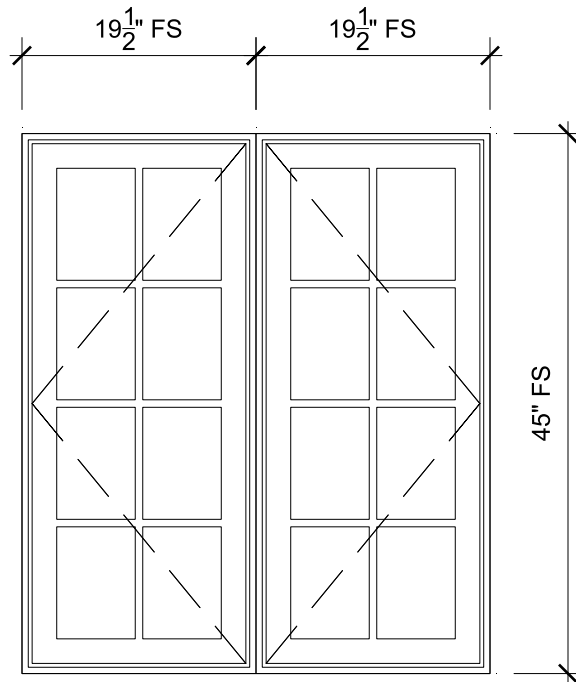
CREATED: 02/25/2025

REVISION:

SHEET

25

OF 67



## EE - 223 HALL (TYPE M)

SCALE: 3/4" = 1'-0"

### SPECIFICATIONS

Line #: 26

Qty: 1

Mark Unit: EE - 223 HALL (TYPE M)

Product Line: Ultimate

Unit Description: Marvin Assembly

Frame Size: 39" X 45"

Exterior Finish: Stone White

Interior Finish: Painted Interior Finish - White

Unit Type: [A1] Casement, Left Hand,  
[A2] Casement, Right Hand

Call Number: None

Glass Information: IG - 3/4", Low E2, Capillary Tube, Black

Divider Type: 5/8" Rectangular SDL W/ Spacer - Black

Hardware Type: Folding Handle, No Sash Travel Limiter

Screen Type: Interior Wood Screen

Hardware Color: Oil Rubbed Bronze

Screen Surround Color: None

Jamb Depth: 4 9/16"



PROJ/JOB: True North Builders / 206 McKenzie St - ULTIMATE Prelim v1

DIST/DEALER: REULE SUN CORPORATION

DRAWN: DAVE WHELCHER

QUOTE#: A1G1X1X

PK VER: 0004.14.00

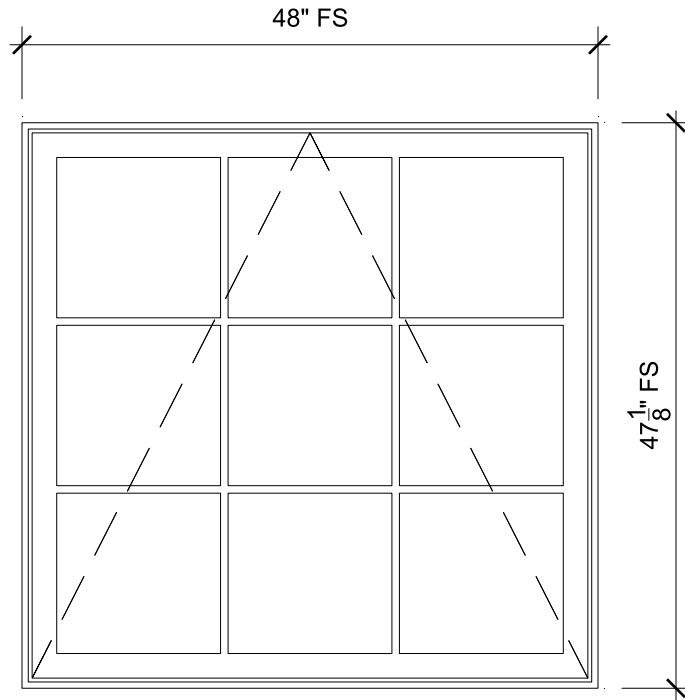
CREATED: 02/25/2025

REVISION:

SHEET

26

OF 67



## F - 101-GALLERY (TYPE E)

SCALE: 3/4" = 1'-0"

### SPECIFICATIONS

Line #: 27

Qty: 1

Mark Unit: F - 101-GALLERY (TYPE E)

Product Line: Ultimate

Unit Description: Awning

Frame Size: 48" X 47 1/8"

Exterior Finish: Stone White

Interior Finish: Painted Interior Finish - White

Unit Type: Awning, Roto Operating

Call Number: CN4848

Glass Information: IG - 3/4", Low E2, Capillary Tube, Black

Divider Type: 5/8" Rectangular SDL W/ Spacer - Black

Hardware Type: Folding Handle, No Sash Travel Limiter

Screen Type: Interior Wood Screen

Hardware Color: Oil Rubbed Bronze

Screen Surround Color: None

Jamb Depth: 4 9/16"



PROJ/JOB: True North Builders / 206 McKenzie St - ULTIMATE Prelim v1

DIST/DEALER: REULE SUN CORPORATION

DRAWN: DAVE WHELCHER

QUOTE#: A1G1X1X

PK VER: 0004.14.00

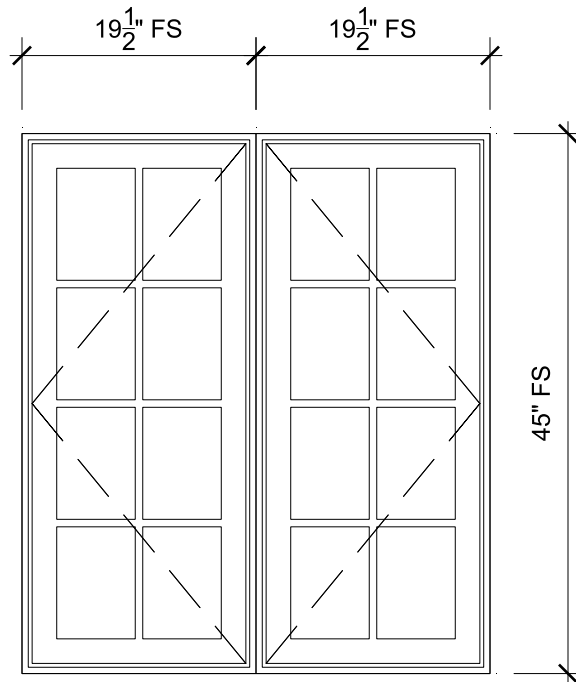
CREATED: 02/25/2025

REVISION:

SHEET

27

OF 67



**FF - 223 HALL (TYPE M)**

SCALE: 3/4" = 1'-0"

**SPECIFICATIONS**

Line #: 28  
 Qty: 1  
 Mark Unit: FF - 223 HALL (TYPE M)  
 Product Line: Ultimate  
 Unit Description: Marvin Assembly  
 Frame Size: 39" X 45"  
 Exterior Finish: Stone White  
 Interior Finish: Painted Interior Finish - White  
 Unit Type: [A1] Casement, Left Hand,  
 [A2] Casement, Right Hand  
 Call Number: None  
 Glass Information: IG - 3/4", Low E2, Capillary Tube, Black  
 Divider Type: 5/8" Rectangular SDL W/ Spacer - Black  
 Hardware Type: Folding Handle, No Sash Travel Limiter  
 Screen Type: Interior Wood Screen  
 Hardware Color: Oil Rubbed Bronze  
 Screen Surround Color: None  
 Jamb Depth: 4 9/16"



PROJ/JOB: True North Builders / 206 McKenzie St - ULTIMATE Prelim v1  
 DIST/DEALER: REULE SUN CORPORATION  
 DRAWN: DAVE WHELCHER  
 QUOTE#: A1G1X1X

PK VER: 0004.14.00

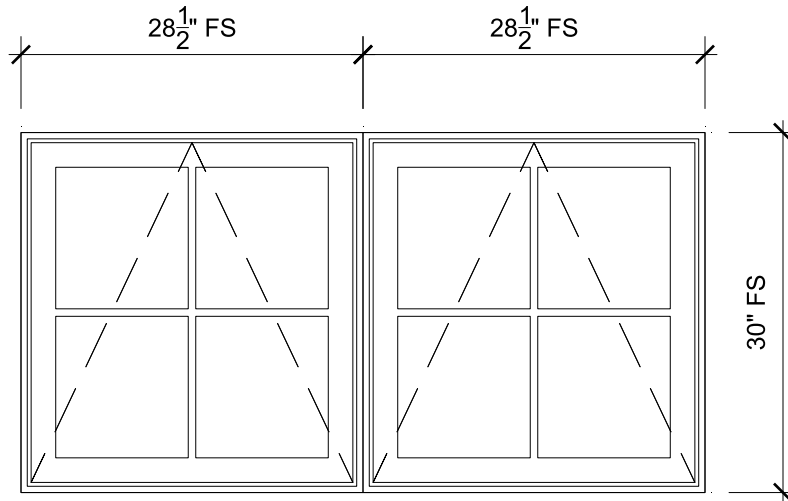
CREATED: 02/25/2025

REVISION:

SHEET

28

OF 67



**G - 100 ENTRY (TYPE F)**  
 SCALE: 3/4" = 1'-0"

## SPECIFICATIONS

Line #: 29  
 Qty: 1  
 Mark Unit: G - 100 ENTRY (TYPE F)  
 Product Line: Ultimate  
 Unit Description: Marvin Assembly  
 Frame Size: 57" X 30"  
 Exterior Finish: Stone White  
 Interior Finish: Painted Interior Finish - White  
 Unit Type: Awning, Roto Operating  
 Call Number: None  
 Glass Information: IG - 3/4", Low E2, Capillary Tube, Black  
 Divider Type: 5/8" Rectangular SDL W/ Spacer - Black  
 Hardware Type: Folding Handle, No Sash Travel Limiter  
 Screen Type: Interior Wood Screen  
 Hardware Color: Oil Rubbed Bronze  
 Screen Surround Color: None  
 Jamb Depth: 4 9/16"



PROJ/JOB: True North Builders / 206 McKenzie St - ULTIMATE Prelim v1  
 DIST/DEALER: REULE SUN CORPORATION  
 DRAWN: DAVE WHELCHER  
 QUOTE#: A1G1X1X

PK VER: 0004.14.00

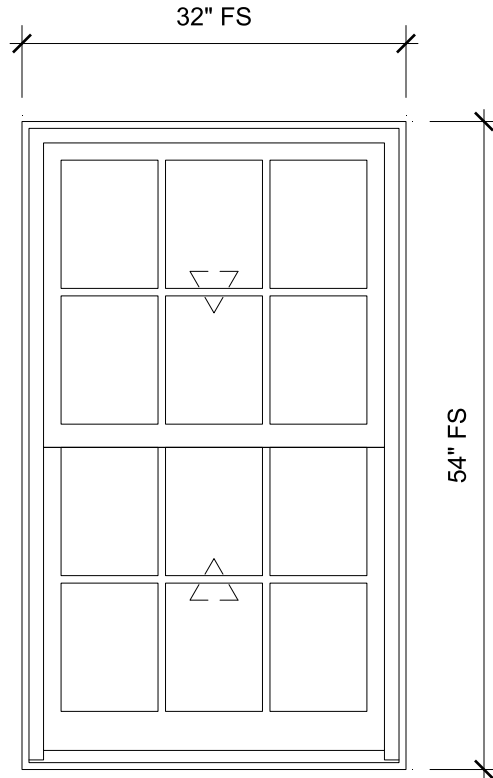
CREATED: 02/25/2025

REVISION:

SHEET

29

OF 67



**GG1-3 - 226 CONF (TYPE I)**  
 SCALE: 3/4" = 1'-0"

## SPECIFICATIONS

Line #: 30  
 Qty: 3  
 Mark Unit: GG1-3 - 226 CONF (TYPE I)  
 Product Line: Ultimate  
 Unit Description: Double Hung G2  
 Frame Size: 32" X 54"  
 Exterior Finish: Stone White  
 Interior Finish: Painted Interior Finish - White  
 Unit Type: Double Hung G2  
 Call Number: None  
 Glass Information: IG, Low E2, Capillary Tube, Black  
 Divider Type: 5/8" Rectangular SDL W/ Spacer - Black  
 Hardware Type: Sash Lock, Sash Lift, No Finger Pull, Top Sash Limiter : None, Bottom Sash Limiter : None  
 Screen Type: Aluminum Screen  
 Hardware Color: Oil Rubbed Bronze  
 Screen Surround Color: Stone White  
 Jamb Depth: 4 9/16"



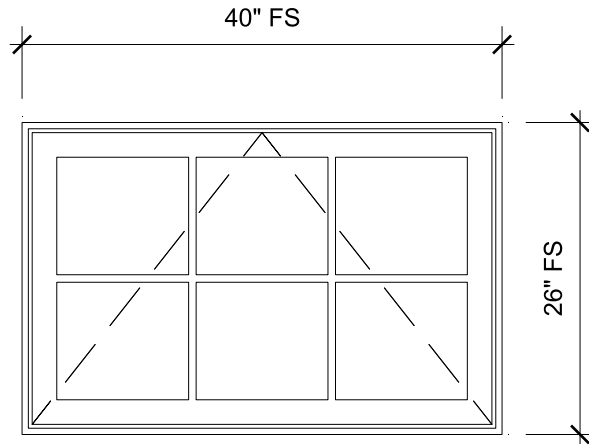
PROJ/JOB: True North Builders / 206 McKenzie St - ULTIMATE Prelim v1  
 DIST/DEALER: REULE SUN CORPORATION  
 DRAWN: DAVE WHELCHER  
 QUOTE#: A1G1X1X PK VER: 0004.14.00

CREATED: 02/25/2025 REVISION:

SHEET

30

OF 67



## H1-3 - 126 RESTRM (TYPE G)

SCALE: 3/4" = 1'-0"

### SPECIFICATIONS

Line #: 31

Qty: 3

Mark Unit: H1-3 - 126 RESTRM (TYPE G)

Product Line: Ultimate

Unit Description: Awning

Frame Size: 40" X 26"

Exterior Finish: Stone White

Interior Finish: Painted Interior Finish - White

Unit Type: Awning, Roto Operating

Call Number: CN40 width

Glass Information: IG - 3/4", Low E2, Capillary Tube, Black

Divider Type: 5/8" Rectangular SDL W/ Spacer - Black

Hardware Type: Folding Handle, No Sash Travel Limiter

Screen Type: Interior Wood Screen

Hardware Color: Oil Rubbed Bronze

Screen Surround Color: None

Jamb Depth: 4 9/16"



PROJ/JOB: True North Builders / 206 McKenzie St - ULTIMATE Prelim v1

DIST/DEALER: REULE SUN CORPORATION

DRAWN: DAVE WHELCHER

QUOTE#: A1G1X1X

PK VER: 0004.14.00

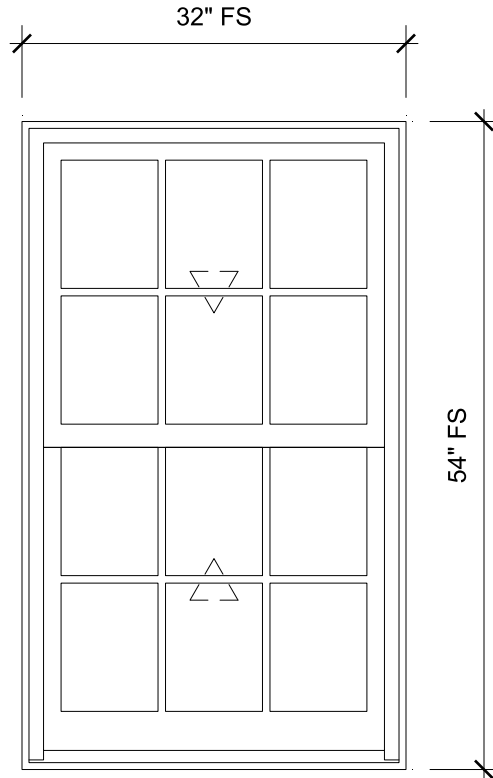
CREATED: 02/25/2025

REVISION:

SHEET

31

OF 67



**HH1-3 - 225 OFFICE (TYPE I)**  
 SCALE: 3/4" = 1'-0"

## SPECIFICATIONS

Line #: 32  
 Qty: 3  
 Mark Unit: HH1-3 - 225 OFFICE (TYPE I)  
 Product Line: Ultimate  
 Unit Description: Double Hung G2  
 Frame Size: 32" X 54"  
 Exterior Finish: Stone White  
 Interior Finish: Painted Interior Finish - White  
 Unit Type: Double Hung G2  
 Call Number: None  
 Glass Information: IG, Low E2, Capillary Tube, Black  
 Divider Type: 5/8" Rectangular SDL W/ Spacer - Black  
 Hardware Type: Sash Lock, Sash Lift, No Finger Pull, Top Sash Limiter : None, Bottom Sash Limiter : None  
 Screen Type: Aluminum Screen  
 Hardware Color: Oil Rubbed Bronze  
 Screen Surround Color: Stone White  
 Jamb Depth: 4 9/16"



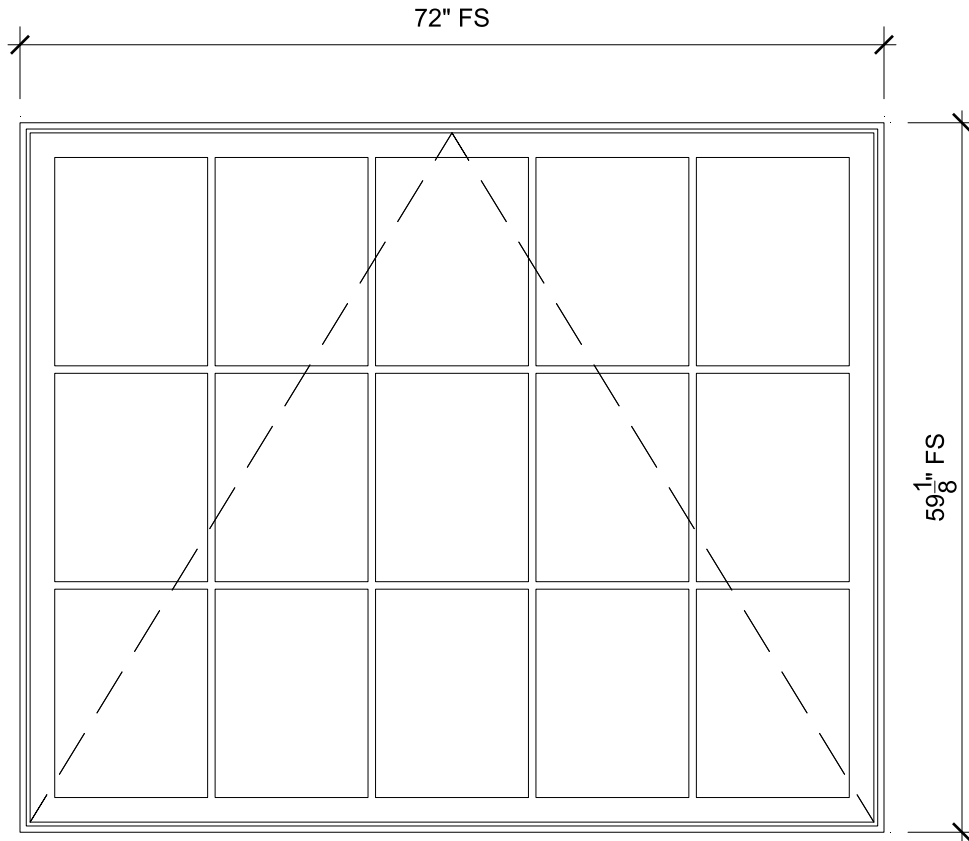
PROJ/JOB: True North Builders / 206 McKenzie St - ULTIMATE Prelim v1  
 DIST/DEALER: REULE SUN CORPORATION  
 DRAWN: DAVE WHELCHER  
 QUOTE#: A1G1X1X PK VER: 0004.14.00

CREATED: 02/25/2025 REVISION:

SHEET

32

OF 67



**I - 138 OFFICE (TYPE H)**  
 SCALE: 3/4" = 1'-0"

**SPECIFICATIONS**

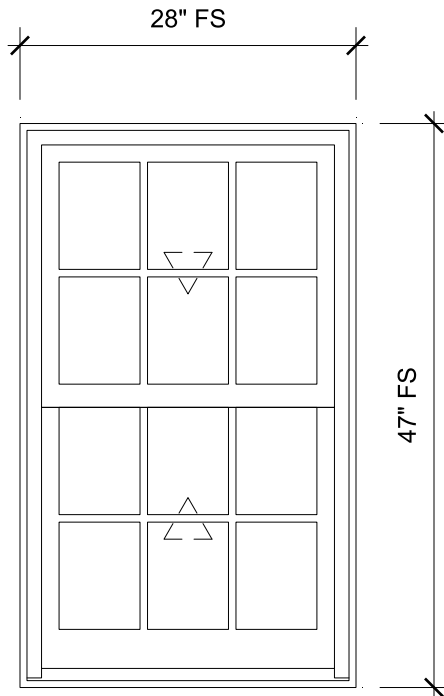
Line #: 33  
 Qty: 1  
 Mark Unit: I - 138 OFFICE (TYPE H)  
 Product Line: Ultimate  
 Unit Description: Awning  
 Frame Size: 72" X 59 1/8"  
 Exterior Finish: Stone White  
 Interior Finish: Painted Interior Finish - White  
 Unit Type: Awning, Roto Operating  
 Call Number: CN7260  
 Glass Information: IG - 3/4", Low E2, Capillary Tube, Black  
 Divider Type: 5/8" Rectangular SDL W/ Spacer - Black  
 Hardware Type: Folding Handle, No Sash Travel Limiter  
 Screen Type: Interior Wood Screen  
 Hardware Color: Oil Rubbed Bronze  
 Screen Surround Color: None  
 Jamb Depth: 4 9/16"



PROJ/JOB: True North Builders / 206 McKenzie St - ULTIMATE Prelim v1  
 DIST/DEALER: REULE SUN CORPORATION  
 DRAWN: DAVE WHELCHER  
 QUOTE#: A1G1X1X PK VER: 0004.14.00

CREATED: 02/25/2025 REVISION:

SHEET  
 33  
 OF 67



**II - 217 OFFICE (TYPE I)**  
SCALE: 3/4" = 1'-0"

## SPECIFICATIONS

Line #: 34

Qty: 1

Mark Unit: II - 217 OFFICE (TYPE I)

Product Line: Ultimate

Unit Description: Double Hung G2

Frame Size: 28" X 47"

Exterior Finish: Stone White

Interior Finish: Painted Interior Finish - White

Unit Type: Double Hung G2

Call Number: None

Glass Information: IG, Low E2, Capillary Tube, Black

Divider Type: 5/8" Rectangular SDL W/ Spacer - Black

Hardware Type: Sash Lock, Sash Lift, No Finger Pull, Top Sash Limiter : None, Bottom

Sash Limiter : None

Screen Type: Aluminum Screen

Hardware Color: Oil Rubbed Bronze

Screen Surround Color: Stone White

Jamb Depth: 4 9/16"



PROJ/JOB: True North Builders / 206 McKenzie St - ULTIMATE Prelim v1

DIST/DEALER: REULE SUN CORPORATION

DRAWN: DAVE WHELCHER

QUOTE#: A1G1X1X

PK VER: 0004.14.00

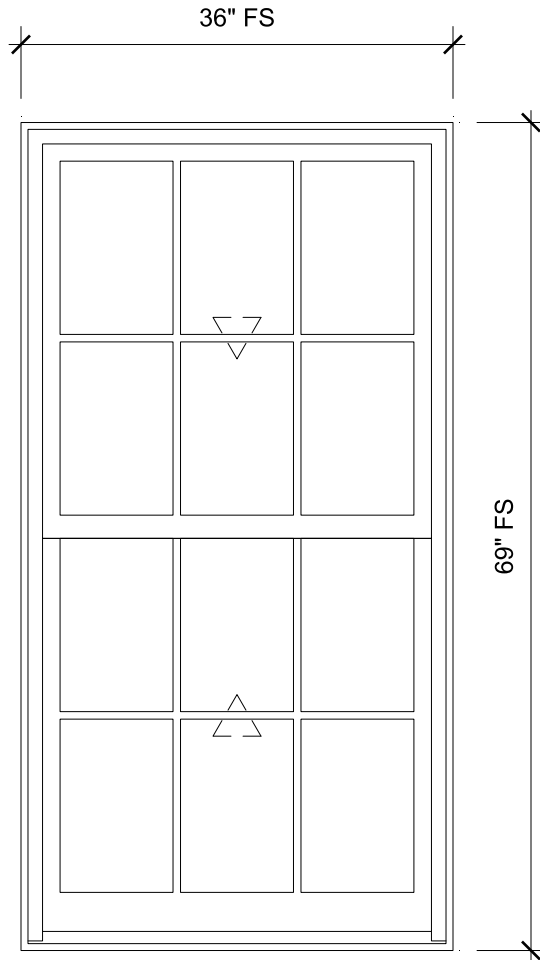
CREATED: 02/25/2025

REVISION:

SHEET

34

OF 67



**J - 138 OFFICE (TYPE I)**  
SCALE: 3/4" = 1'-0"

## SPECIFICATIONS

Line #: 35

Qty: 1

Mark Unit: J - 138 OFFICE (TYPE I)

Product Line: Ultimate

Unit Description: Double Hung G2

Frame Size: 36" X 69"

Exterior Finish: Stone White

Interior Finish: Painted Interior Finish - White

Unit Type: Double Hung G2

Call Number: None

Glass Information: IG, Low E2, Capillary Tube, Black

Divider Type: 5/8" Rectangular SDL W/ Spacer - Black

Hardware Type: Sash Lock, Sash Lift, No Finger Pull, Top Sash Limiter : None, Bottom

Sash Limiter : None

Screen Type: Extruded Aluminum Screen

Hardware Color: Oil Rubbed Bronze

Screen Surround Color: Stone White

Jamb Depth: 4 9/16"



PROJ/JOB: True North Builders / 206 McKenzie St - ULTIMATE Prelim v1

DIST/DEALER: REULE SUN CORPORATION

DRAWN: DAVE WHELCHER

QUOTE#: A1G1X1X

PK VER: 0004.14.00

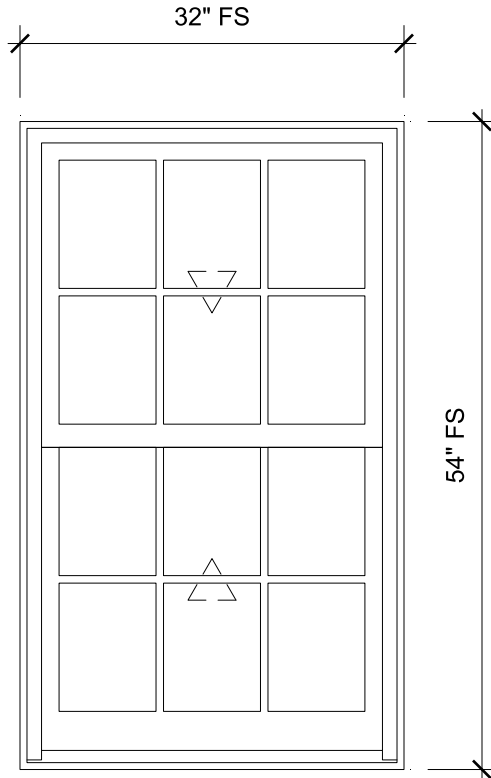
CREATED: 02/25/2025

REVISION:

SHEET

35

OF 67



**JJ1-2 - 217 OFFICE (TYPE I)**  
SCALE: 3/4" = 1'-0"

## SPECIFICATIONS

Line #: 36  
 Qty: 2  
 Mark Unit: JJ1-2 - 217 OFFICE (TYPE I)  
 Product Line: Ultimate  
 Unit Description: Double Hung G2  
 Frame Size: 32" X 54"  
 Exterior Finish: Stone White  
 Interior Finish: Painted Interior Finish - White  
 Unit Type: Double Hung G2  
 Call Number: None  
 Glass Information: IG, Low E2, Capillary Tube, Black  
 Divider Type: 5/8" Rectangular SDL W/ Spacer - Black  
 Hardware Type: Sash Lock, Sash Lift, No Finger Pull, Top Sash Limiter : None, Bottom Sash Limiter : None  
 Screen Type: Aluminum Screen  
 Hardware Color: Oil Rubbed Bronze  
 Screen Surround Color: Stone White  
 Jamb Depth: 4 9/16"



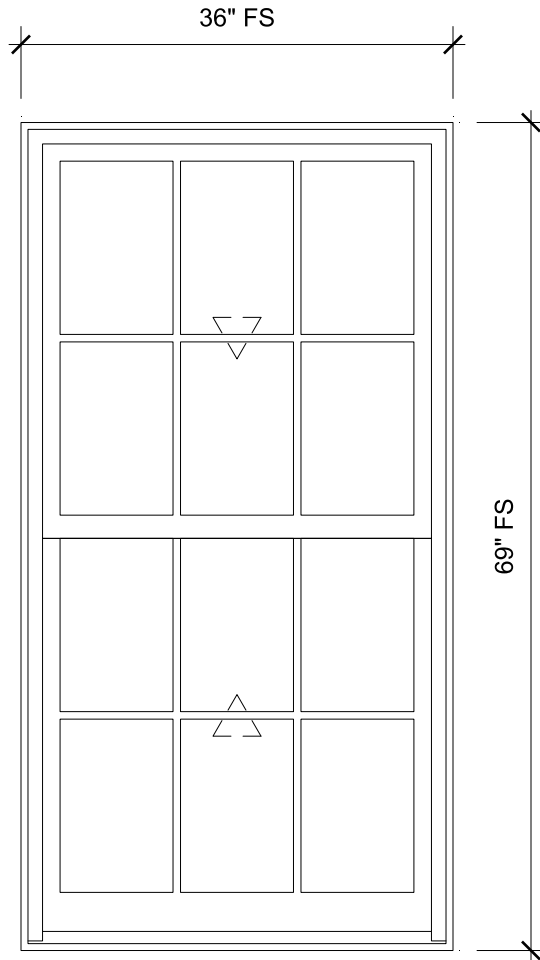
PROJ/JOB: True North Builders / 206 McKenzie St - ULTIMATE Prelim v1  
 DIST/DEALER: REULE SUN CORPORATION  
 DRAWN: DAVE WHELCHER  
 QUOTE#: A1G1X1X PK VER: 0004.14.00

CREATED: 02/25/2025 REVISION:

SHEET

36

OF 67



**K - 132 CAFE (TYPE I)**  
SCALE: 3/4" = 1'-0"

## SPECIFICATIONS

Line #: 37

Qty: 1

Mark Unit: K - 132 CAFE (TYPE I)

Product Line: Ultimate

Unit Description: Double Hung G2

Frame Size: 36" X 69"

Exterior Finish: Stone White

Interior Finish: Painted Interior Finish - White

Unit Type: Double Hung G2

Call Number: None

Glass Information: IG, Low E2, Capillary Tube, Black

Divider Type: 5/8" Rectangular SDL W/ Spacer - Black

Hardware Type: Sash Lock, Sash Lift, No Finger Pull, Top Sash Limiter : None, Bottom

Sash Limiter : None

Screen Type: Extruded Aluminum Screen

Hardware Color: Oil Rubbed Bronze

Screen Surround Color: Stone White

Jamb Depth: 4 9/16"



PROJ/JOB: True North Builders / 206 McKenzie St - ULTIMATE Prelim v1

DIST/DEALER: REULE SUN CORPORATION

DRAWN: DAVE WHELCHER

QUOTE#: A1G1X1X

PK VER: 0004.14.00

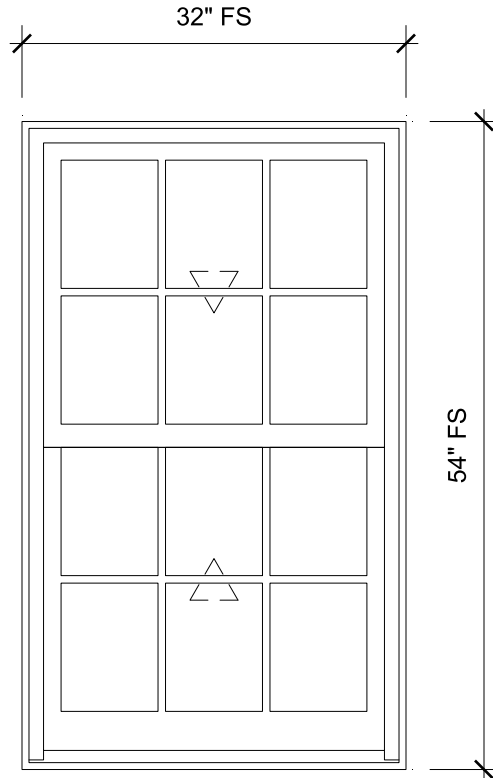
CREATED: 02/25/2025

REVISION:

SHEET

37

OF 67



**KK1-3 - 211 CONF (TYPE I)**  
 SCALE: 3/4" = 1'-0"

## SPECIFICATIONS

Line #: 38  
 Qty: 3  
 Mark Unit: KK1-3 - 211 CONF (TYPE I)  
 Product Line: Ultimate  
 Unit Description: Double Hung G2  
 Frame Size: 32" X 54"  
 Exterior Finish: Stone White  
 Interior Finish: Painted Interior Finish - White  
 Unit Type: Double Hung G2  
 Call Number: None  
 Glass Information: IG, Low E2, Capillary Tube, Black  
 Divider Type: 5/8" Rectangular SDL W/ Spacer - Black  
 Hardware Type: Sash Lock, Sash Lift, No Finger Pull, Top Sash Limiter : None, Bottom Sash Limiter : None  
 Screen Type: Aluminum Screen  
 Hardware Color: Oil Rubbed Bronze  
 Screen Surround Color: Stone White  
 Jamb Depth: 4 9/16"



PROJ/JOB: True North Builders / 206 McKenzie St - ULTIMATE Prelim v1  
 DIST/DEALER: REULE SUN CORPORATION  
 DRAWN: DAVE WHELCHER  
 QUOTE#: A1G1X1X

PK VER: 0004.14.00

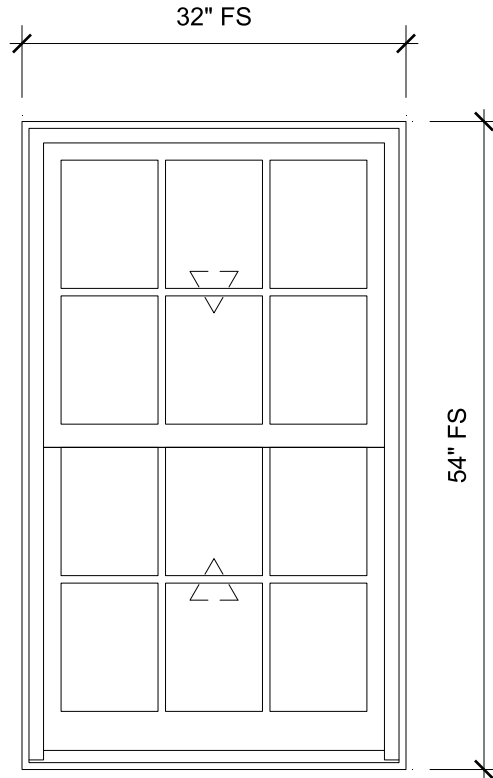
CREATED: 02/25/2025

REVISION:

SHEET

38

OF 67



**L - 132 CAFE (TYPE I)**  
SCALE: 3/4" = 1'-0"

## SPECIFICATIONS

Line #: 39

Qty: 1

Mark Unit: L - 132 CAFE (TYPE I)

Product Line: Ultimate

Unit Description: Double Hung G2

Frame Size: 32" X 54"

Exterior Finish: Stone White

Interior Finish: Painted Interior Finish - White

Unit Type: Double Hung G2

Call Number: None

Glass Information: IG, Low E2, Capillary Tube, Black

Divider Type: 5/8" Rectangular SDL W/ Spacer - Black

Hardware Type: Sash Lock, Sash Lift, No Finger Pull, Top Sash Limiter : None, Bottom

Sash Limiter : None

Screen Type: Aluminum Screen

Hardware Color: Oil Rubbed Bronze

Screen Surround Color: Stone White

Jamb Depth: 4 9/16"



PROJ/JOB: True North Builders / 206 McKenzie St - ULTIMATE Prelim v1

DIST/DEALER: REULE SUN CORPORATION

DRAWN: DAVE WHELCHER

QUOTE#: A1G1X1X

PK VER: 0004.14.00

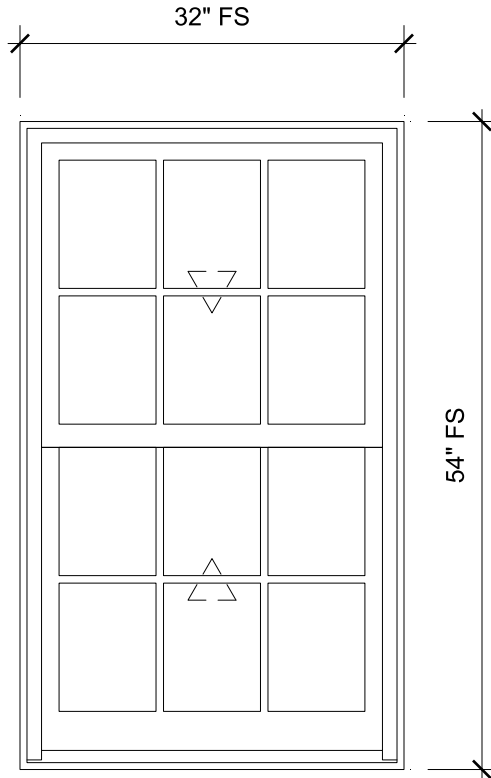
CREATED: 02/25/2025

REVISION:

SHEET

39

OF 67



**LL1-3 - 211 CONF (TYPE I)**  
 SCALE: 3/4" = 1'-0"

## SPECIFICATIONS

Line #: 40  
 Qty: 3  
 Mark Unit: LL1-3 - 211 CONF (TYPE I)  
 Product Line: Ultimate  
 Unit Description: Double Hung G2  
 Frame Size: 32" X 54"  
 Exterior Finish: Stone White  
 Interior Finish: Painted Interior Finish - White  
 Unit Type: Double Hung G2  
 Call Number: None  
 Glass Information: IG, Low E2, Capillary Tube, Black  
 Divider Type: 5/8" Rectangular SDL W/ Spacer - Black  
 Hardware Type: Sash Lock, Sash Lift, No Finger Pull, Top Sash Limiter : None, Bottom Sash Limiter : None  
 Screen Type: Aluminum Screen  
 Hardware Color: Oil Rubbed Bronze  
 Screen Surround Color: Stone White  
 Jamb Depth: 4 9/16"



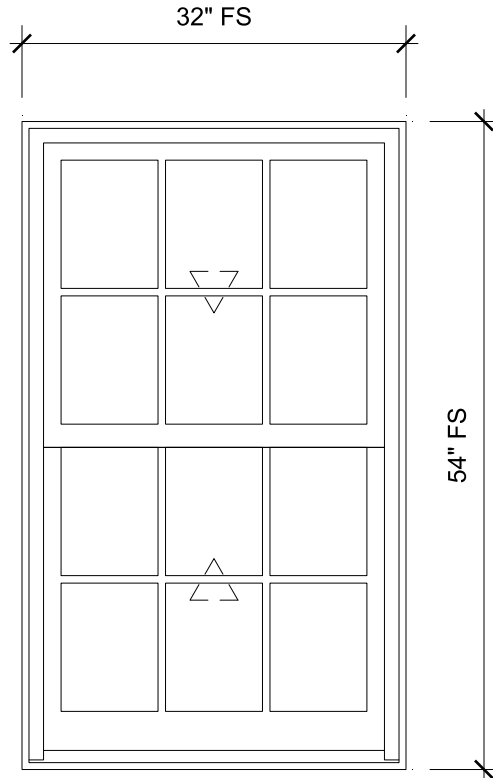
PROJ/JOB: True North Builders / 206 McKenzie St - ULTIMATE Prelim v1  
 DIST/DEALER: REULE SUN CORPORATION  
 DRAWN: DAVE WHELCHER  
 QUOTE#: A1G1X1X PK VER: 0004.14.00

CREATED: 02/25/2025 REVISION:

SHEET

40

OF 67



**M - 132 CAFE (TYPE I)**  
SCALE: 3/4" = 1'-0"

## SPECIFICATIONS

Line #: 41

Qty: 1

Mark Unit: M - 132 CAFE (TYPE I)

Product Line: Ultimate

Unit Description: Double Hung G2

Frame Size: 32" X 54"

Exterior Finish: Stone White

Interior Finish: Painted Interior Finish - White

Unit Type: Double Hung G2

Call Number: None

Glass Information: IG, Low E2, Capillary Tube, Black

Divider Type: 5/8" Rectangular SDL W/ Spacer - Black

Hardware Type: Sash Lock, Sash Lift, No Finger Pull, Top Sash Limiter : None, Bottom

Sash Limiter : None

Screen Type: Aluminum Screen

Hardware Color: Oil Rubbed Bronze

Screen Surround Color: Stone White

Jamb Depth: 4 9/16"



PROJ/JOB: True North Builders / 206 McKenzie St - ULTIMATE Prelim v1

DIST/DEALER: REULE SUN CORPORATION

DRAWN: DAVE WHELCHER

QUOTE#: A1G1X1X

PK VER: 0004.14.00

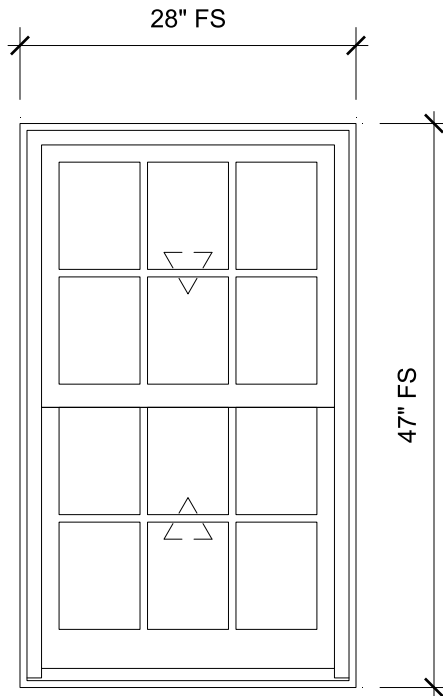
CREATED: 02/25/2025

REVISION:

SHEET

41

OF 67



**MM1-3 - 202 OFFICE (TYPE I)**  
 SCALE: 3/4" = 1'-0"

## SPECIFICATIONS

Line #: 42  
 Qty: 3  
 Mark Unit: MM1-3 - 202 OFFICE (TYPE I)  
 Product Line: Ultimate  
 Unit Description: Double Hung G2  
 Frame Size: 28" X 47"  
 Exterior Finish: Stone White  
 Interior Finish: Painted Interior Finish - White  
 Unit Type: Double Hung G2  
 Call Number: None  
 Glass Information: IG, Low E2, Capillary Tube, Black  
 Divider Type: 5/8" Rectangular SDL W/ Spacer - Black  
 Hardware Type: Sash Lock, Sash Lift, No Finger Pull, Top Sash Limiter : None, Bottom Sash Limiter : None  
 Screen Type: Aluminum Screen  
 Hardware Color: Oil Rubbed Bronze  
 Screen Surround Color: Stone White  
 Jamb Depth: 4 9/16"



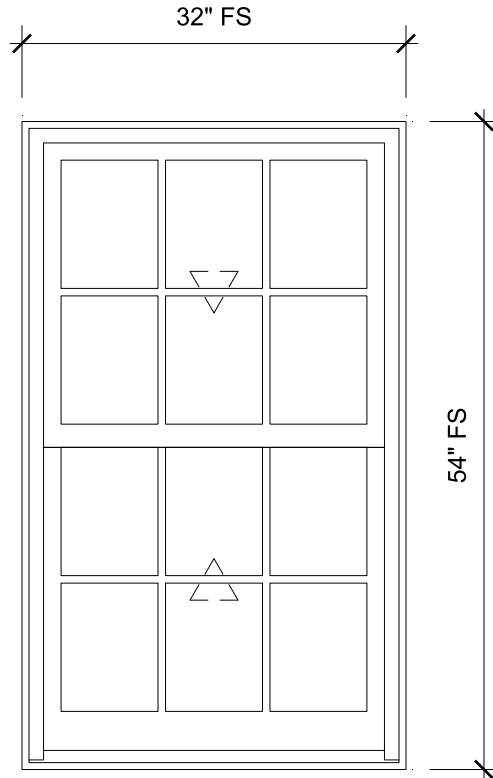
PROJ/JOB: True North Builders / 206 McKenzie St - ULTIMATE Prelim v1  
 DIST/DEALER: REULE SUN CORPORATION  
 DRAWN: DAVE WHELCHER  
 QUOTE#: A1G1X1X PK VER: 0004.14.00

CREATED: 02/25/2025 REVISION:

SHEET

42

OF 67



**N - 132 CAFE (TYPE I)**  
 SCALE: 3/4" = 1'-0"

## SPECIFICATIONS

Line #: 43  
 Qty: 1  
 Mark Unit: N - 132 CAFE (TYPE I)  
 Product Line: Ultimate  
 Unit Description: Double Hung G2  
 Frame Size: 32" X 54"  
 Exterior Finish: Stone White  
 Interior Finish: Painted Interior Finish - White  
 Unit Type: Double Hung G2  
 Call Number: None  
 Glass Information: IG, Low E2, Capillary Tube, Black  
 Divider Type: 5/8" Rectangular SDL W/ Spacer - Black  
 Hardware Type: Sash Lock, Sash Lift, No Finger Pull, Top Sash Limiter : None, Bottom Sash Limiter : None  
 Screen Type: Aluminum Screen  
 Hardware Color: Oil Rubbed Bronze  
 Screen Surround Color: Stone White  
 Jamb Depth: 4 9/16"



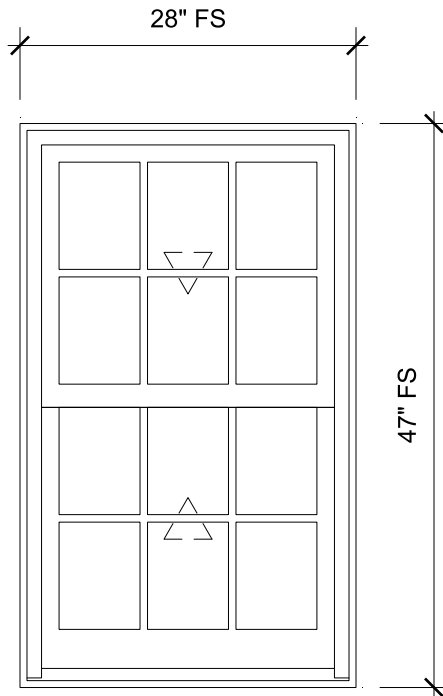
PROJ/JOB: True North Builders / 206 McKenzie St - ULTIMATE Prelim v1  
 DIST/DEALER: REULE SUN CORPORATION  
 DRAWN: DAVE WHELCHER  
 QUOTE#: A1G1X1X      PK VER: 0004.14.00

CREATED: 02/25/2025      REVISION:

SHEET

43

OF 67



**NN1-3 - 202 OFFICE (TYPE I)**  
SCALE: 3/4" = 1'-0"

## SPECIFICATIONS

Line #: 44

Qty: 3

Mark Unit: NN1-3 - 202 OFFICE (TYPE I)

Product Line: Ultimate

Unit Description: Double Hung G2

Frame Size: 28" X 47"

Exterior Finish: Stone White

Interior Finish: Painted Interior Finish - White

Unit Type: Double Hung G2

Call Number: None

Glass Information: IG, Low E2, Capillary Tube, Black

Divider Type: 5/8" Rectangular SDL W/ Spacer - Black

Hardware Type: Sash Lock, Sash Lift, No Finger Pull, Top Sash Limiter : None, Bottom

Sash Limiter : None

Screen Type: Aluminum Screen

Hardware Color: Oil Rubbed Bronze

Screen Surround Color: Stone White

Jamb Depth: 4 9/16"



PROJ/JOB: True North Builders / 206 McKenzie St - ULTIMATE Prelim v1

DIST/DEALER: REULE SUN CORPORATION

DRAWN: DAVE WHELCHER

QUOTE#: A1G1X1X

PK VER: 0004.14.00

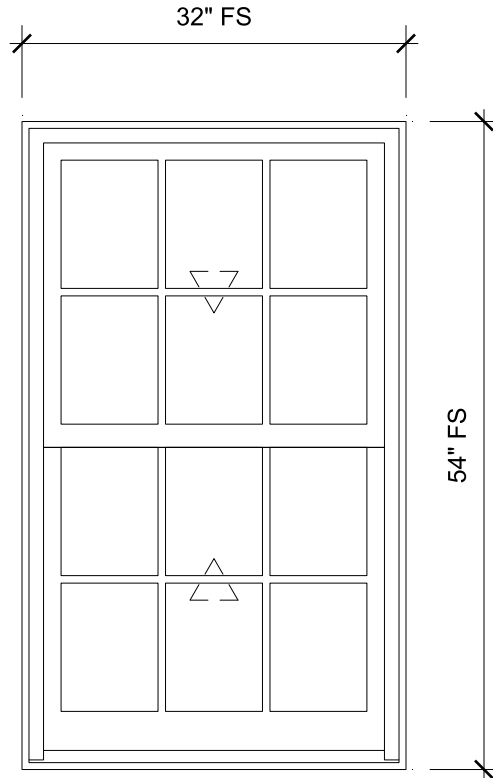
CREATED: 02/25/2025

REVISION:

SHEET

44

OF 67



**O - 132 CAFE (TYPE I)**  
 SCALE: 3/4" = 1'-0"

## SPECIFICATIONS

Line #: 45

Qty: 1

Mark Unit: O - 132 CAFE (TYPE I)

Product Line: Ultimate

Unit Description: Double Hung G2

Frame Size: 32" X 54"

Exterior Finish: Stone White

Interior Finish: Painted Interior Finish - White

Unit Type: Double Hung G2

Call Number: None

Glass Information: IG, Low E2, Capillary Tube, Black

Divider Type: 5/8" Rectangular SDL W/ Spacer - Black

Hardware Type: Sash Lock, Sash Lift, No Finger Pull, Top Sash Limiter : None, Bottom

Sash Limiter : None

Screen Type: Aluminum Screen

Hardware Color: Oil Rubbed Bronze

Screen Surround Color: Stone White

Jamb Depth: 4 9/16"



PROJ/JOB: True North Builders / 206 McKenzie St - ULTIMATE Prelim v1

DIST/DEALER: REULE SUN CORPORATION

DRAWN: DAVE WHELCHER

QUOTE#: A1G1X1X

PK VER: 0004.14.00

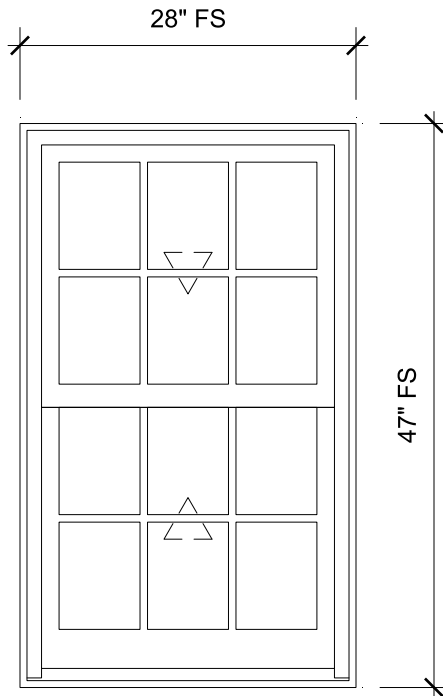
CREATED: 02/25/2025

REVISION:

SHEET

45

OF 67



## OO1-5 - 203 OFFICE (TYPE I)

SCALE: 3/4" = 1'-0"

### SPECIFICATIONS

Line #: 46

Qty: 5

Mark Unit: OO1-5 - 203 OFFICE (TYPE I)

Product Line: Ultimate

Unit Description: Double Hung G2

Frame Size: 28" X 47"

Exterior Finish: Stone White

Interior Finish: Painted Interior Finish - White

Unit Type: Double Hung G2

Call Number: None

Glass Information: IG, Low E2, Capillary Tube, Black

Divider Type: 5/8" Rectangular SDL W/ Spacer - Black

Hardware Type: Sash Lock, Sash Lift, No Finger Pull, Top Sash Limiter : None, Bottom

Sash Limiter : None

Screen Type: Aluminum Screen

Hardware Color: Oil Rubbed Bronze

Screen Surround Color: Stone White

Jamb Depth: 4 9/16"



PROJ/JOB: True North Builders / 206 McKenzie St - ULTIMATE Prelim v1

DIST/DEALER: REULE SUN CORPORATION

DRAWN: DAVE WHELCHER

QUOTE#: A1G1X1X

PK VER: 0004.14.00

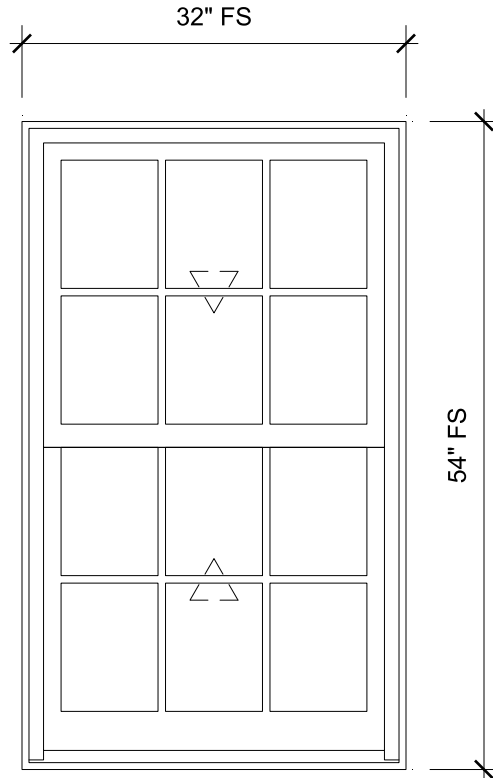
CREATED: 02/25/2025

REVISION:

SHEET

46

OF 67



**P - 132 CAFE (TYPE I)**  
SCALE: 3/4" = 1'-0"

## SPECIFICATIONS

Line #: 47

Qty: 1

Mark Unit: P - 132 CAFE (TYPE I)

Product Line: Ultimate

Unit Description: Double Hung G2

Frame Size: 32" X 54"

Exterior Finish: Stone White

Interior Finish: Painted Interior Finish - White

Unit Type: Double Hung G2

Call Number: None

Glass Information: IG, Low E2, Capillary Tube, Black

Divider Type: 5/8" Rectangular SDL W/ Spacer - Black

Hardware Type: Sash Lock, Sash Lift, No Finger Pull, Top Sash Limiter : None, Bottom

Sash Limiter : None

Screen Type: Aluminum Screen

Hardware Color: Oil Rubbed Bronze

Screen Surround Color: Stone White

Jamb Depth: 4 9/16"



PROJ/JOB: True North Builders / 206 McKenzie St - ULTIMATE Prelim v1

DIST/DEALER: REULE SUN CORPORATION

DRAWN: DAVE WHELCHER

QUOTE#: A1G1X1X

PK VER: 0004.14.00

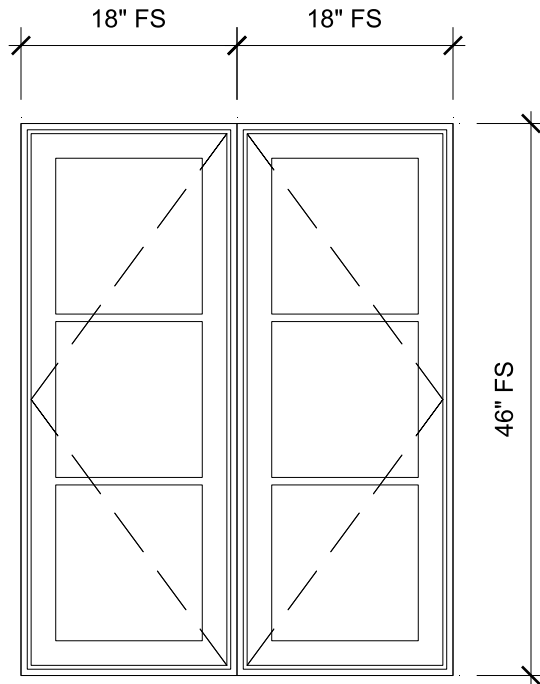
CREATED: 02/25/2025

REVISION:

SHEET

47

OF 67



## PP - 205 OFFICE (TYPE N)

SCALE: 3/4" = 1'-0"

### SPECIFICATIONS

Line #: 48

Qty: 1

Mark Unit: PP - 205 OFFICE (TYPE N)

Product Line: Ultimate

Unit Description: Marvin Assembly

Frame Size: 36" X 46"

Exterior Finish: Stone White

Interior Finish: Painted Interior Finish - White

Unit Type: [A1] Casement, Left Hand,  
[A2] Casement, Right Hand

Call Number: CN18 width

Glass Information: IG - 3/4", Low E2, Capillary Tube, Black

Divider Type: 5/8" Rectangular SDL W/ Spacer - Black

Hardware Type: Folding Handle, No Sash Travel Limiter

Screen Type: Interior Wood Screen

Hardware Color: Oil Rubbed Bronze

Screen Surround Color: None

Jamb Depth: 4 9/16"



PROJ/JOB: True North Builders / 206 McKenzie St - ULTIMATE Prelim v1

DIST/DEALER: REULE SUN CORPORATION

DRAWN: DAVE WHELCHER

QUOTE#: A1G1X1X

PK VER: 0004.14.00

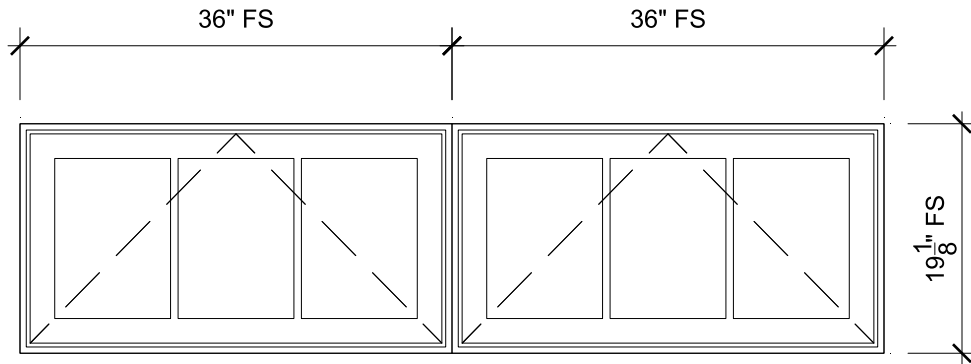
CREATED: 02/25/2025

REVISION:

SHEET

48

OF 67



## Q - 130 BREAKOUT (TYPE J)

SCALE: 3/4" = 1'-0"

### **SPECIFICATIONS**

Line #: 49

Qty: 1

Mark Unit: Q - 130 BREAKOUT (TYPE J)

Product Line: Ultimate

Unit Description: Marvin Assembly

Frame Size: 72" X 19 1/8"

Exterior Finish: Stone White

Interior Finish: Painted Interior Finish - White

Unit Type: Awning, Roto Operating

Call Number: CN3620

Glass Information: IG - 3/4", Low E2, Capillary Tube, Black

Divider Type: 5/8" Rectangular SDL W/ Spacer - Black

Hardware Type: Folding Handle, No Sash Travel Limiter

Screen Type: Interior Wood Screen

Hardware Color: Oil Rubbed Bronze

Screen Surround Color: None

Jamb Depth: 4 9/16"



PROJ/JOB: True North Builders / 206 McKenzie St - ULTIMATE Prelim v1

DIST/DEALER: REULE SUN CORPORATION

DRAWN: DAVE WHELCHER

QUOTE#: A1G1X1X

PK VER: 0004.14.00

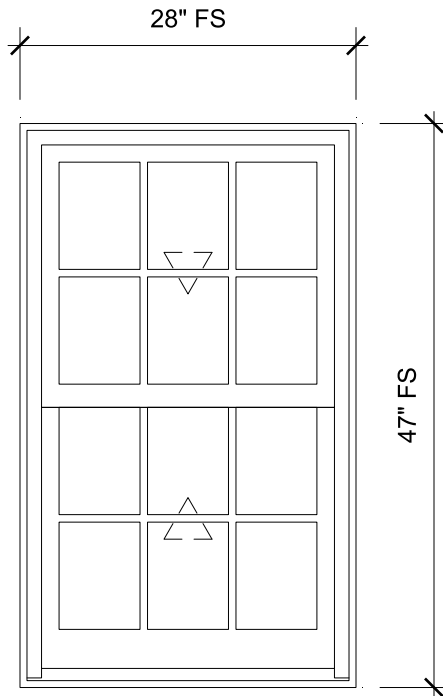
CREATED: 02/25/2025

REVISION:

SHEET

49

OF 67



## QQ1-2 - 205 OFFICE (TYPE I)

SCALE: 3/4" = 1'-0"

### SPECIFICATIONS

Line #: 50

Qty: 2

Mark Unit: QQ1-2 - 205 OFFICE (TYPE I)

Product Line: Ultimate

Unit Description: Double Hung G2

Frame Size: 28" X 47"

Exterior Finish: Stone White

Interior Finish: Painted Interior Finish - White

Unit Type: Double Hung G2

Call Number: None

Glass Information: IG, Low E2, Capillary Tube, Black

Divider Type: 5/8" Rectangular SDL W/ Spacer - Black

Hardware Type: Sash Lock, Sash Lift, No Finger Pull, Top Sash Limiter : None, Bottom

Sash Limiter : None

Screen Type: Aluminum Screen

Hardware Color: Oil Rubbed Bronze

Screen Surround Color: Stone White

Jamb Depth: 4 9/16"



PROJ/JOB: True North Builders / 206 McKenzie St - ULTIMATE Prelim v1

DIST/DEALER: REULE SUN CORPORATION

DRAWN: DAVE WHELCHER

QUOTE#: A1G1X1X

PK VER: 0004.14.00

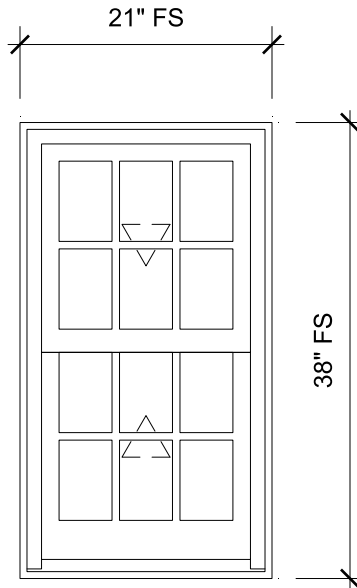
CREATED: 02/25/2025

REVISION:

SHEET

50

OF 67



## R - 130 BREAKOUT (TYPE I)

SCALE: 3/4" = 1'-0"

### **SPECIFICATIONS**

Line #: 51

Qty: 1

Mark Unit: R - 130 BREAKOUT (TYPE I)

Product Line: Ultimate

Unit Description: Double Hung G2

Frame Size: 21" X 38"

Exterior Finish: Stone White

Interior Finish: Painted Interior Finish - White

Unit Type: Double Hung G2

Call Number: None

Glass Information: IG, Low E2, Capillary Tube, Black

Divider Type: 5/8" Rectangular SDL W/ Spacer - Black

Hardware Type: Sash Lock, Sash Lift, No Finger Pull, Top Sash Limiter : None, Bottom

Sash Limiter : None

Screen Type: Aluminum Screen

Hardware Color: Oil Rubbed Bronze

Screen Surround Color: Stone White

Jamb Depth: 4 9/16"



PROJ/JOB: True North Builders / 206 McKenzie St - ULTIMATE Prelim v1

DIST/DEALER: REULE SUN CORPORATION

DRAWN: DAVE WHELCHER

QUOTE#: A1G1X1X

PK VER: 0004.14.00

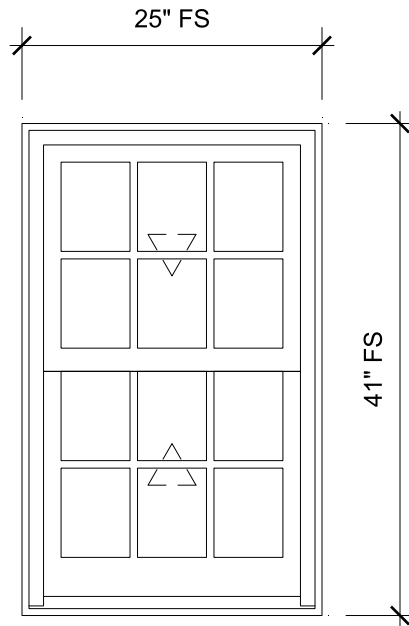
CREATED: 02/25/2025

REVISION:

SHEET

51

OF 67



## RR - 209 RESTRM (TYPE I)

SCALE: 3/4" = 1'-0"

### SPECIFICATIONS

Line #: 52

Qty: 1

Mark Unit: RR - 209 RESTRM (TYPE I)

Product Line: Ultimate

Unit Description: Double Hung G2

Frame Size: 25" X 41"

Exterior Finish: Stone White

Interior Finish: Painted Interior Finish - White

Unit Type: Double Hung G2

Call Number: None

Glass Information: IG, Low E2, Capillary Tube, Black

Divider Type: 5/8" Rectangular SDL W/ Spacer - Black

Hardware Type: Sash Lock, Sash Lift, No Finger Pull, Top Sash Limiter : None, Bottom

Sash Limiter : None

Screen Type: Aluminum Screen

Hardware Color: Oil Rubbed Bronze

Screen Surround Color: Stone White

Jamb Depth: 4 9/16"



PROJ/JOB: True North Builders / 206 McKenzie St - ULTIMATE Prelim v1

DIST/DEALER: REULE SUN CORPORATION

DRAWN: DAVE WHELCHER

QUOTE#: A1G1X1X

PK VER: 0004.14.00

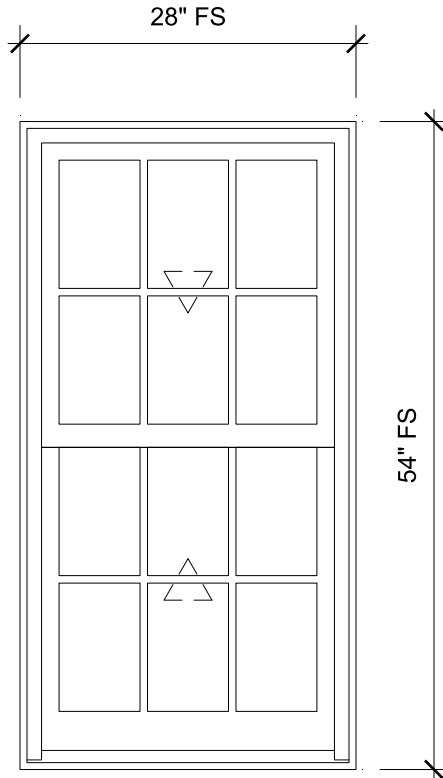
CREATED: 02/25/2025

REVISION:

SHEET

52

OF 67



**S1-3 - 118 CONF (TYPE I)**  
 SCALE: 3/4" = 1'-0"

## SPECIFICATIONS

Line #: 53  
 Qty: 3  
 Mark Unit: S1-3 - 118 CONF (TYPE I)  
 Product Line: Ultimate  
 Unit Description: Double Hung G2  
 Frame Size: 28" X 54"  
 Exterior Finish: Stone White  
 Interior Finish: Painted Interior Finish - White  
 Unit Type: Double Hung G2  
 Call Number: None  
 Glass Information: IG, Low E2, Capillary Tube, Black  
 Divider Type: 5/8" Rectangular SDL W/ Spacer - Black  
 Hardware Type: Sash Lock, Sash Lift, No Finger Pull, Top Sash Limiter : None, Bottom Sash Limiter : None  
 Screen Type: Aluminum Screen  
 Hardware Color: Oil Rubbed Bronze  
 Screen Surround Color: Stone White  
 Jamb Depth: 4 9/16"



PROJ/JOB: True North Builders / 206 McKenzie St - ULTIMATE Prelim v1  
 DIST/DEALER: REULE SUN CORPORATION  
 DRAWN: DAVE WHELCHER  
 QUOTE#: A1G1X1X

PK VER: 0004.14.00

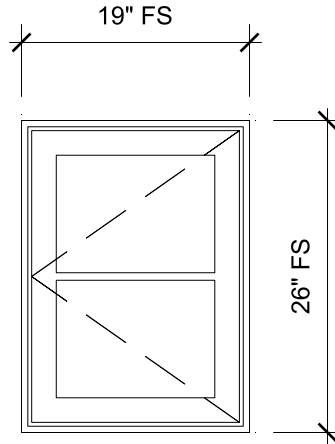
CREATED: 02/25/2025

REVISION:

SHEET

53

OF 67



## SS - 212 BREAKROOM (TYPE D)

SCALE: 3/4" = 1'-0"

### SPECIFICATIONS

Line #: 54

Qty: 1

Mark Unit: SS - 212 BREAKROOM (TYPE D)

Product Line: Ultimate

Unit Description: Casement

Frame Size: 19" X 26"

Exterior Finish: Stone White

Interior Finish: Painted Interior Finish - White

Unit Type: Casement, Left Hand

Call Number: None

Glass Information: IG - 3/4", Low E2, Capillary Tube, Black

Divider Type: 5/8" Rectangular SDL W/ Spacer - Black

Hardware Type: Folding Handle, No Sash Travel Limiter

Screen Type: Interior Wood Screen

Hardware Color: Oil Rubbed Bronze

Screen Surround Color: None

Jamb Depth: 4 9/16"



PROJ/JOB: True North Builders / 206 McKenzie St - ULTIMATE Prelim v1

DIST/DEALER: REULE SUN CORPORATION

DRAWN: DAVE WHELCHER

QUOTE#: A1G1X1X

PK VER: 0004.14.00

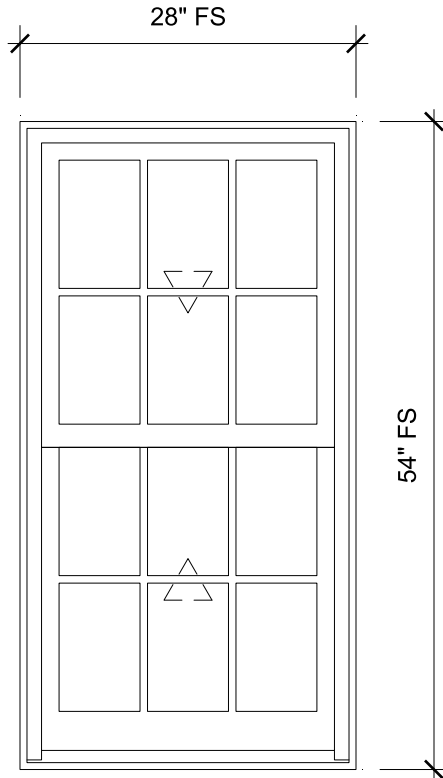
CREATED: 02/25/2025

REVISION:

SHEET

54

OF 67



**T1-3 - 118 CONF (TYPE I)**

SCALE: 3/4" = 1'-0"

**SPECIFICATIONS**

Line #: 55

Qty: 3

Mark Unit: T1-3 - 118 CONF (TYPE I)

Product Line: Ultimate

Unit Description: Double Hung G2

Frame Size: 28" X 54"

Exterior Finish: Stone White

Interior Finish: Painted Interior Finish - White

Unit Type: Double Hung G2

Call Number: None

Glass Information: IG, Low E2, Capillary Tube, Black

Divider Type: 5/8" Rectangular SDL W/ Spacer - Black

Hardware Type: Sash Lock, Sash Lift, No Finger Pull, Top Sash Limiter : None, Bottom

Sash Limiter : None

Screen Type: Aluminum Screen

Hardware Color: Oil Rubbed Bronze

Screen Surround Color: Stone White

Jamb Depth: 4 9/16"



PROJ/JOB: True North Builders / 206 McKenzie St - ULTIMATE Prelim v1

DIST/DEALER: REULE SUN CORPORATION

DRAWN: DAVE WHELCHER

QUOTE#: A1G1X1X

PK VER: 0004.14.00

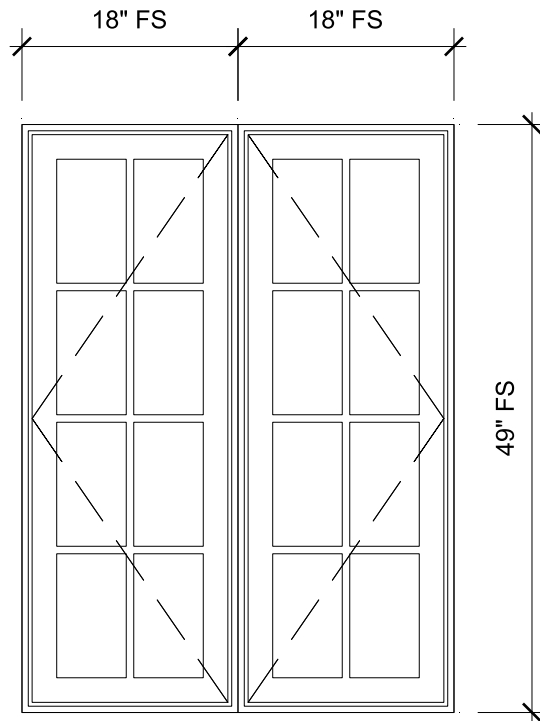
CREATED: 02/25/2025

REVISION:

SHEET

55

OF 67



## TT1-11 - 223 HALL (TYPE M)

SCALE: 3/4" = 1'-0"

### **SPECIFICATIONS**

Line #: 56

Qty: 11

Mark Unit: TT1-11 - 223 HALL (TYPE M)

Product Line: Ultimate

Unit Description: Marvin Assembly

Frame Size: 36" X 49"

Exterior Finish: Stone White

Interior Finish: Painted Interior Finish - White

Unit Type: [A1] Casement, Left Hand,  
[A2] Casement, Right Hand

Call Number: None

Glass Information: IG - 3/4", Low E2, Capillary Tube, Black

Divider Type: 5/8" Rectangular SDL W/ Spacer - Black

Hardware Type: Folding Handle, No Sash Travel Limiter

Screen Type: Interior Wood Screen

Hardware Color: Oil Rubbed Bronze

Screen Surround Color: None

Jamb Depth: 4 9/16"



PROJ/JOB: True North Builders / 206 McKenzie St - ULTIMATE Prelim v1

DIST/DEALER: REULE SUN CORPORATION

DRAWN: DAVE WHELCHER

QUOTE#: A1G1X1X

PK VER: 0004.14.00

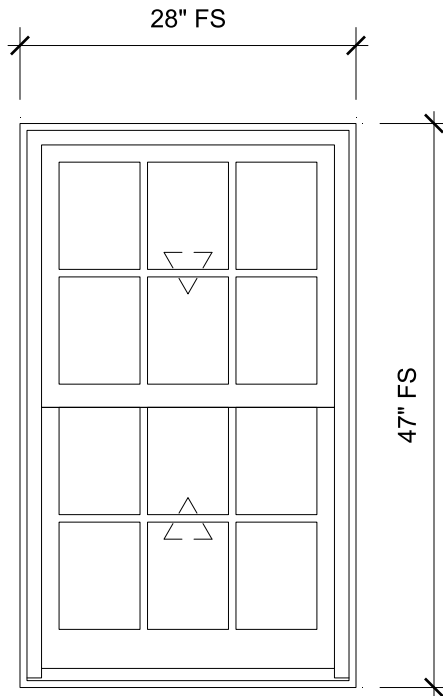
CREATED: 02/25/2025

REVISION:

SHEET

56

OF 67



## U - 116 RESTROOM (TYPE I)

SCALE: 3/4" = 1'-0"

### SPECIFICATIONS

Line #: 57

Qty: 1

Mark Unit: U - 116 RESTROOM (TYPE I)

Product Line: Ultimate

Unit Description: Double Hung G2

Frame Size: 28" X 47"

Exterior Finish: Stone White

Interior Finish: Painted Interior Finish - White

Unit Type: Double Hung G2

Call Number: None

Glass Information: IG, Low E2, Capillary Tube, Black

Divider Type: 5/8" Rectangular SDL W/ Spacer - Black

Hardware Type: Sash Lock, Sash Lift, No Finger Pull, Top Sash Limiter : None, Bottom

Sash Limiter : None

Screen Type: Aluminum Screen

Hardware Color: Oil Rubbed Bronze

Screen Surround Color: Stone White

Jamb Depth: 4 9/16"



PROJ/JOB: True North Builders / 206 McKenzie St - ULTIMATE Prelim v1

DIST/DEALER: REULE SUN CORPORATION

DRAWN: DAVE WHELCHER

QUOTE#: A1G1X1X

PK VER: 0004.14.00

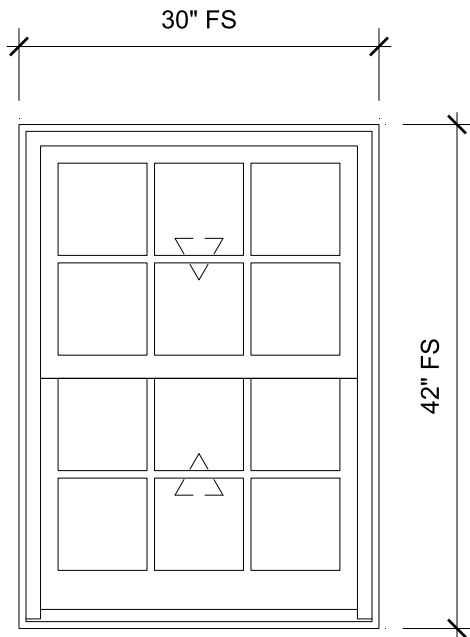
CREATED: 02/25/2025

REVISION:

SHEET

57

OF 67



## UU - 138 OFFICE (TYPE I)

SCALE: 3/4" = 1'-0"

### SPECIFICATIONS

Line #: 58

Qty: 2

Mark Unit: UU - 138 OFFICE (TYPE I)

Product Line: Ultimate

Unit Description: Double Hung G2

Frame Size: 30" X 42"

Exterior Finish: Stone White

Interior Finish: Painted Interior Finish - White

Unit Type: Double Hung G2

Call Number: None

Glass Information: IG, Low E2, Capillary Tube, Black

Divider Type: 5/8" Rectangular SDL W/ Spacer - Black

Hardware Type: Sash Lock, Sash Lift, No Finger Pull, Top Sash Limiter : None, Bottom

Sash Limiter : None

Screen Type: Aluminum Screen

Hardware Color: Oil Rubbed Bronze

Screen Surround Color: Stone White

Jamb Depth: 4 9/16"



PROJ/JOB: True North Builders / 206 McKenzie St - ULTIMATE Prelim v1

DIST/DEALER: REULE SUN CORPORATION

DRAWN: DAVE WHELCHER

QUOTE#: A1G1X1X

PK VER: 0004.14.00

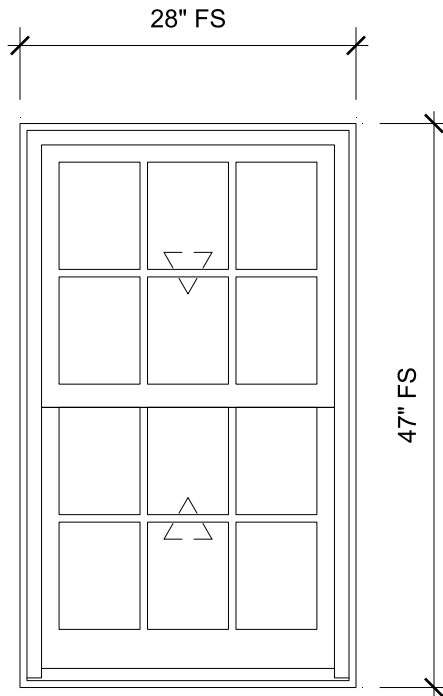
CREATED: 02/25/2025

REVISION:

SHEET

58

OF 67



**V1-2 - 115 OFFICE (TYPE I)**

SCALE: 3/4" = 1'-0"

**SPECIFICATIONS**

Line #: 59  
 Qty: 2  
 Mark Unit: V1-2 - 115 OFFICE (TYPE I)  
 Product Line: Ultimate  
 Unit Description: Double Hung G2  
 Frame Size: 28" X 47"  
 Exterior Finish: Stone White  
 Interior Finish: Painted Interior Finish - White  
 Unit Type: Double Hung G2  
 Call Number: None  
 Glass Information: IG, Low E2, Capillary Tube, Black  
 Divider Type: 5/8" Rectangular SDL W/ Spacer - Black  
 Hardware Type: Sash Lock, Sash Lift, No Finger Pull, Top Sash Limiter : None, Bottom Sash Limiter : None  
 Screen Type: Aluminum Screen  
 Hardware Color: Oil Rubbed Bronze  
 Screen Surround Color: Stone White  
 Jamb Depth: 4 9/16"



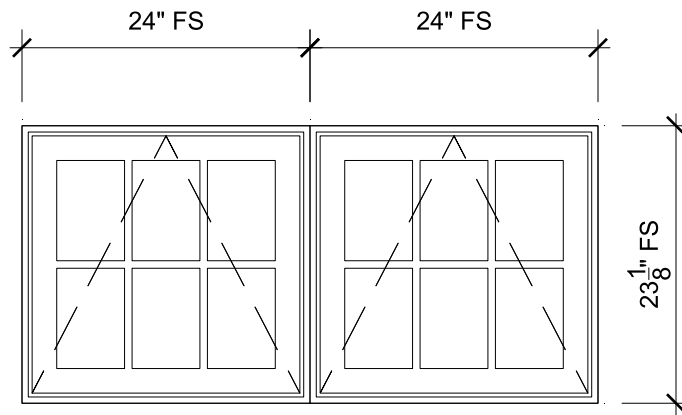
PROJ/JOB: True North Builders / 206 McKenzie St - ULTIMATE Prelim v1  
 DIST/DEALER: REULE SUN CORPORATION  
 DRAWN: DAVE WHELCHER  
 QUOTE#: A1G1X1X PK VER: 0004.14.00

CREATED: 02/25/2025 REVISION:

SHEET

59

OF 67



**VV - 138 OFFICE (TYPE O)**  
SCALE: 3/4" = 1'-0"

## SPECIFICATIONS

Line #: 60  
 Qty: 1  
 Mark Unit: VV - 138 OFFICE (TYPE O)  
 Product Line: Ultimate  
 Unit Description: Marvin Assembly  
 Frame Size: 48" X 23 1/8"  
 Exterior Finish: Stone White  
 Interior Finish: Painted Interior Finish - White  
 Unit Type: Awning, Roto Operating  
 Call Number: CN2424  
 Glass Information: IG - 3/4", Low E2, Capillary Tube, Black  
 Divider Type: 5/8" Rectangular SDL W/ Spacer - Black  
 Hardware Type: Folding Handle, No Sash Travel Limiter  
 Screen Type: Interior Wood Screen  
 Hardware Color: Oil Rubbed Bronze  
 Screen Surround Color: None  
 Jamb Depth: 4 9/16"



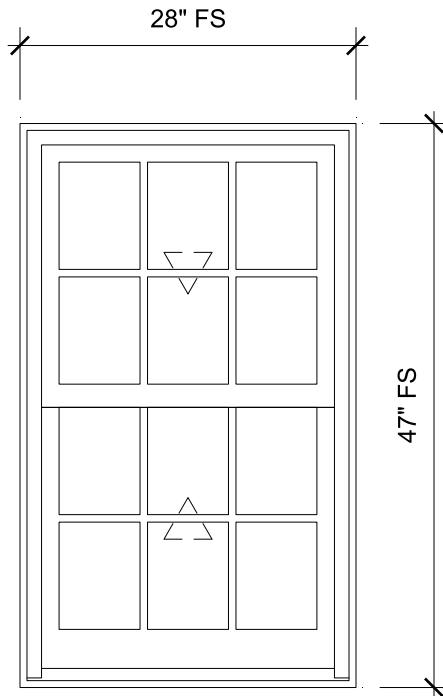
PROJ/JOB: True North Builders / 206 McKenzie St - ULTIMATE Prelim v1  
 DIST/DEALER: REULE SUN CORPORATION  
 DRAWN: DAVE WHELCHER  
 QUOTE#: A1G1X1X PK VER: 0004.14.00

CREATED: 02/25/2025 REVISION:

SHEET

60

OF 67



## W1-2 - 115 OFFICE (TYPE I)

SCALE: 3/4" = 1'-0"

### SPECIFICATIONS

Line #: 61

Qty: 1

Mark Unit: W1-2 - 115 OFFICE (TYPE I)

Product Line: Ultimate

Unit Description: Double Hung G2

Frame Size: 28" X 47"

Exterior Finish: Stone White

Interior Finish: Painted Interior Finish - White

Unit Type: Double Hung G2

Call Number: None

Glass Information: IG, Low E2, Capillary Tube, Black

Divider Type: 5/8" Rectangular SDL W/ Spacer - Black

Hardware Type: Sash Lock, Sash Lift, No Finger Pull, Top Sash Limiter : None, Bottom

Sash Limiter : None

Screen Type: Aluminum Screen

Hardware Color: Oil Rubbed Bronze

Screen Surround Color: Stone White

Jamb Depth: 4 9/16"



PROJ/JOB: True North Builders / 206 McKenzie St - ULTIMATE Prelim v1

DIST/DEALER: REULE SUN CORPORATION

DRAWN: DAVE WHELCHER

QUOTE#: A1G1X1X

PK VER: 0004.14.00

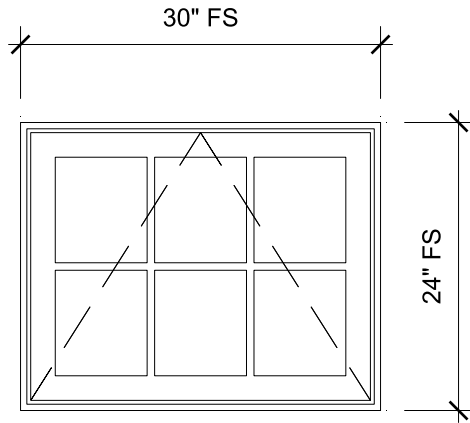
CREATED: 02/25/2025

REVISION:

SHEET

61

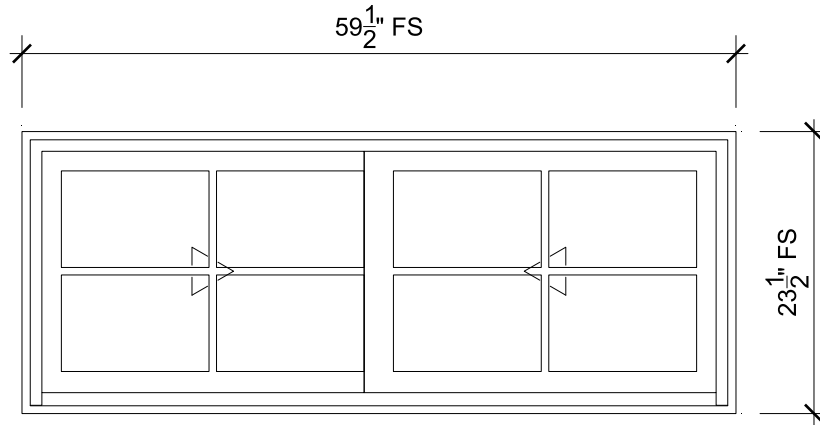
OF 67



**WW - 138 OFFICE (TYPE G)**  
 SCALE: 3/4" = 1'-0"

## SPECIFICATIONS

Line #: 62  
 Qty: 1  
 Mark Unit: WW - 138 OFFICE (TYPE G)  
 Product Line: Ultimate  
 Unit Description: Awning  
 Frame Size: 30" X 24"  
 Exterior Finish: Stone White  
 Interior Finish: Painted Interior Finish - White  
 Unit Type: Awning, Roto Operating  
 Call Number: None  
 Glass Information: IG - 3/4", Low E2, Capillary Tube, Black  
 Divider Type: 5/8" Rectangular SDL W/ Spacer - Black  
 Hardware Type: Folding Handle, No Sash Travel Limiter  
 Screen Type: Interior Wood Screen  
 Hardware Color: Oil Rubbed Bronze  
 Screen Surround Color: None  
 Jamb Depth: 4 9/16"



## X1-2 - 109-GARAGE (TYPE A)

SCALE: 3/4" = 1'-0"

### SPECIFICATIONS

Line #: 63

Qty: 2

Mark Unit: X1-2 - 109-GARAGE (TYPE A)

Product Line: Ultimate

Unit Description: Glider

Frame Size: 59 1/2" X 23 1/2"

Exterior Finish: Stone White

Interior Finish: Painted Interior Finish - White

Unit Type: Glider, Left Hand

Call Number: CN5020

Glass Information: IG, IG - 3/4", Low E2, Capillary Tube, Stainless

Divider Type: 5/8" Rectangular SDL W/ Spacer - Stainless

Hardware Type: Folding Handle, No Sash Travel Limiter

Screen Type: Aluminum Dual Full Screen

Hardware Color: White

Screen Surround Color: Stone White

Jamb Depth: 4 9/16"



PROJ/JOB: True North Builders / 206 McKenzie St - ULTIMATE Prelim v1

DIST/DEALER: REULE SUN CORPORATION

DRAWN: DAVE WHELCHER

QUOTE#: A1G1X1X

PK VER: 0004.14.00

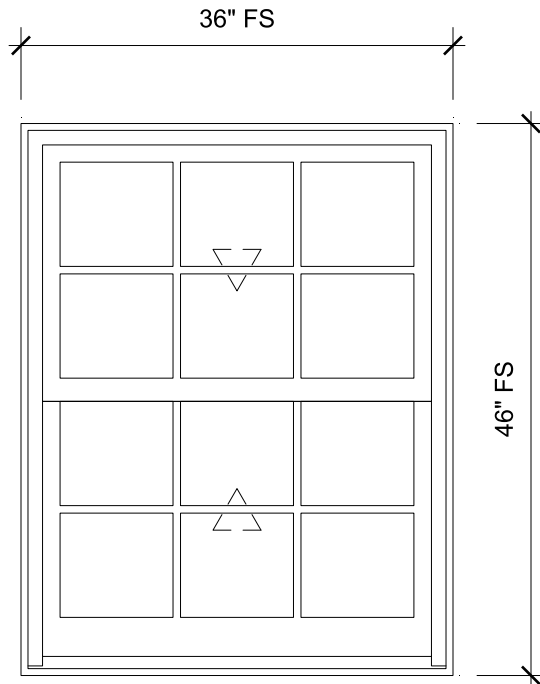
CREATED: 02/25/2025

REVISION:

SHEET

63

OF 67



## Y - 124 OFFICE (TYPE I)

SCALE: 3/4" = 1'-0"

### SPECIFICATIONS

Line #: 80

Qty: 1

Mark Unit: Y - 124 OFFICE (TYPE I)

Product Line: Ultimate

Unit Description: Double Hung G2

Frame Size: 36" X 46"

Exterior Finish: Stone White

Interior Finish: Painted Interior Finish - White

Unit Type: Double Hung G2

Call Number: None

Glass Information: IG, Low E2, Capillary Tube, Black

Divider Type: 5/8" Rectangular SDL W/ Spacer - Black

Hardware Type: Sash Lock, Sash Lift, No Finger Pull, Top Sash Limiter : None, Bottom

Sash Limiter : None

Screen Type: Aluminum Screen

Hardware Color: Oil Rubbed Bronze

Screen Surround Color: Stone White

Jamb Depth: 4 9/16"



PROJ/JOB: True North Builders / 206 McKenzie St - ULTIMATE Prelim v1

DIST/DEALER: REULE SUN CORPORATION

DRAWN: DAVE WHELCHER

QUOTE#: A1G1X1X

PK VER: 0004.14.00

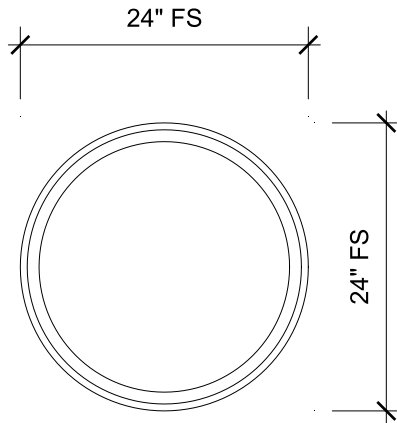
CREATED: 02/25/2025

REVISION:

SHEET

64

OF 67



**YY - 138 OFFICE(TYPE Q)**  
SCALE: 3/4" = 1'-0"

**SPECIFICATIONS**

Line #: 81  
Qty: 1  
Mark Unit: YY - 138 OFFICE(TYPE Q)  
Product Line: Ultimate  
Unit Description: Direct Glaze Round Top  
Frame Size: 24" X 24"  
Exterior Finish: Stone White  
Interior Finish: Painted Interior Finish - White  
Unit Type: Direct Glaze Round Top  
Call Number: None  
Glass Information: Low E2, Capillary Tube, Black  
Divider Type: None  
Hardware Type: None  
Screen Type: None  
Hardware Color: None  
Screen Surround Color: None  
Jamb Depth: 4 9/16"



PROJ/JOB: True North Builders / 206 McKenzie St - ULTIMATE Prelim v1  
DIST/DEALER: REULE SUN CORPORATION  
DRAWN: DAVE WHELCHER  
QUOTE#: A1G1X1X

PK VER: 0004.14.00

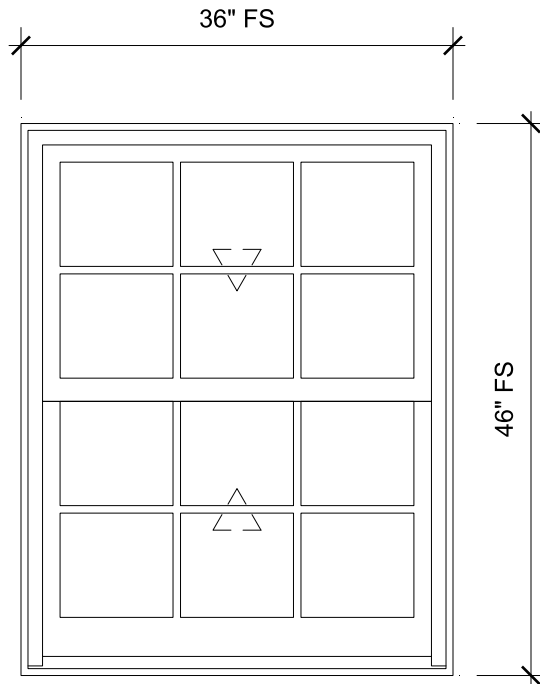
CREATED: 02/25/2025

REVISION:

SHEET

65

OF 67



## Z - 119 OFFICE (TYPE I)

SCALE: 3/4" = 1'-0"

### SPECIFICATIONS

Line #: 82

Qty: 1

Mark Unit: Z - 119 OFFICE (TYPE I)

Product Line: Ultimate

Unit Description: Double Hung G2

Frame Size: 36" X 46"

Exterior Finish: Stone White

Interior Finish: Painted Interior Finish - White

Unit Type: Double Hung G2

Call Number: None

Glass Information: IG, Low E2, Capillary Tube, Black

Divider Type: 5/8" Rectangular SDL W/ Spacer - Black

Hardware Type: Sash Lock, Sash Lift, No Finger Pull, Top Sash Limiter : None, Bottom

Sash Limiter : None

Screen Type: Aluminum Screen

Hardware Color: Oil Rubbed Bronze

Screen Surround Color: Stone White

Jamb Depth: 4 9/16"



PROJ/JOB: True North Builders / 206 McKenzie St - ULTIMATE Prelim v1

DIST/DEALER: REULE SUN CORPORATION

DRAWN: DAVE WHELCHER

QUOTE#: A1G1X1X

PK VER: 0004.14.00

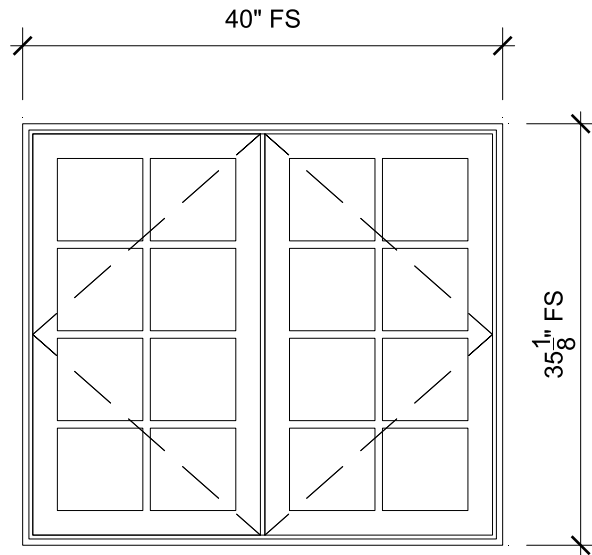
CREATED: 02/25/2025

REVISION:

SHEET

66

OF 67



## ZZ1-4 - 104 GRNHSE (TYPE B)

SCALE: 3/4" = 1'-0"

### SPECIFICATIONS

Line #: 83

Qty: 4

Mark Unit: ZZ1-4 - 104 GRNHSE (TYPE B)

Product Line: Ultimate

Unit Description: French Casement

Frame Size: 40" X 35 1/8"

Exterior Finish: Stone White

Interior Finish: Painted Interior Finish - White

Unit Type: French Casement, Left Hand/Right Hand

Call Number: CN4036

Glass Information: IG - 3/4", Low E2, Capillary Tube, Black

Divider Type: 5/8" Rectangular SDL W/ Spacer - Black

Hardware Type: Folding Handle, No Sash Travel Limiter

Screen Type: Interior Wood Screen

Hardware Color: Oil Rubbed Bronze

Screen Surround Color: None

Jamb Depth: 4 9/16"



PROJ/JOB: True North Builders / 206 McKenzie St - ULTIMATE Prelim v1

DIST/DEALER: REULE SUN CORPORATION

DRAWN: DAVE WHELCHER

QUOTE#: A1G1X1X

PK VER: 0004.14.00

CREATED: 02/25/2025

REVISION:

SHEET

67

OF 67